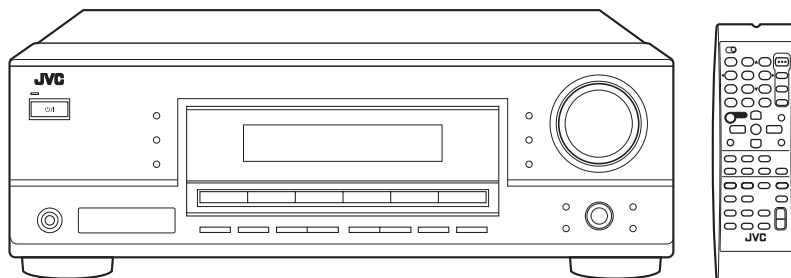


JVC

SERVICE MANUAL

AUDIO/VIDEO CONTROL RECEIVER

RX-5050B, RX-5052S



RX-5050B
Area suffix
E ----- Continental Europe

EX-5052S
Area suffix
B ----- U.K.
E ----- Continental Europe
EN ----- Northern Europe
EV ----- Eastern Europe



TABLE OF CONTENTS

1	PRECAUTION.....	1-3
2	SPECIFIC SERVICE INSTRUCTIONS.....	1-3
3	DISASSEMBLY.....	1-3
4	ADJUSTMENT.....	1-3
5	TROUBLESHOOTING.....	1-3

SPECIFICATION

Amplifier			
Output Power	At Stereo operation	Front channels	100 W per channel, min. RMS, driven into 8 Ω, at 1 kHz with no more than 0.8% total harmonic distortion (IEC268-3/DIN).
	At Surround operation	Front channels	100 W per channel, min. RMS, driven into 8 Ω, at 1 kHz with no more than 0.8% total harmonic distortion.
		Center channel	100 W, min. RMS, driven into 8 Ω, at 1 kHz with no more than 0.8% total harmonic distortion.
		Surround channels	100 W per channel, min. RMS, driven into 8 Ω, at 1 kHz with no more than 0.8% total harmonic distortion.
Audio	Audio Input Sensitivity/Impedance (1 kHz)		CD, TAPE/CDR, VCR, TV SOUND, DVD : 220 mV/47 kΩ
	Audio Input (DIGITAL IN)*		Coaxial DIGITAL 1 (DVD) : 0.5 V(p-p)/75 Ω Optical DIGITAL 2 (CD) : -21 dBm to -15 dBm (660 nm ±30 nm)
	Recording Output Level		TAPE/CDR, VCR : 220 mV
	Signal-to-Noise Ratio ('66 IHF/DIN)		CD, TAPE/CDR, VCR, TV SOUND, DVD : 87 dB/62 dB
	Frequency Response (8 Ω)		CD, TAPE/CDR, VCR, TV SOUND, DVD : 20 Hz to 50 kHz (+1 dB, -3 dB)
	Equalization (5 bands)		63 Hz, 250 Hz, 1 kHz, 4 kHz, 16 kHz : ±8 dB (in 2 dB steps)
Video	Video Input Sensitivity/Impedance : Composite video		DVD, VCR : 1 V(p-p)/75 Ω
	Video Output Level : Composite video		VCR, MONITOR OUT : 1 V(p-p)/75 Ω
	Synchronization		Negative
	Signal-to-Noise Ratio		45 dB
FM tuner (IHF)			
Tuning Range			87.50 MHz to 108.00 MHz
Usable Sensitivity	Monaural		17.0 dBf (1.9 μV/75 Ω)
50 dB Quieting Sensitivity	Monaural		21.3 dBf (3.2 μV/75 Ω)
	Stereo		41.3 dBf (31.8 μV/75 Ω)
Stereo Separation at OUT (REC)			35 dB at 1 kHz
AM (MW) tuner			
Tuning Range			522 kHz to 1 629 kHz
General			
Power Requirements			AC 230 V , 50 Hz
Power Consumption			210 W (at operation) 1.5 W (in standby mode)
Dimensions (W × H × D)			435 mm × 146.5 mm × 369.5 mm
Mass			7.5 kg

* Corresponding to Linear PCM, Dolby Digital, and DTS Digital Surround (with sampling frequency -32 kHz, 44.1 kHz, 48 kHz)
Designs and specifications are subject to change without notice.

**SECTION 1
PRECAUTION**

Please refer to "RX-5042S (No.MB185)" about this section.

**SECTION 2
SPECIFIC SERVICE INSTRUCTIONS**

Please refer to "RX-5042S (No.MB185)" about this section.

**SECTION 3
DISASSEMBLY**

Please refer to "RX-5042S (No.MB185)" about this section.

**SECTION 4
ADJUSTMENT**

Please refer to "RX-5042S (No.MB185)" about this section.

**SECTION 5
TROUBLESHOOTING**

Please refer to "RX-5042S (No.MB185)" about this section.



JVC

Victor Company of Japan, Limited

AV & MULTIMEDIA COMPANY AUDIO/VIDEO SYSTEMS CATEGORY 10-1,1chome,Ohwatari-machi,Maebashi-city,371-8543,Japan

(No.MB352)



Printed in Japan
VPT

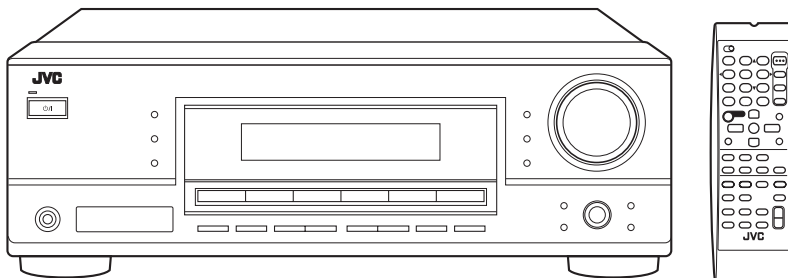
JVC

SCHEMATIC DIAGRAMS

AUDIO/VIDEO CONTROL RECEIVER

RX-5050B, RX-5052S

CD-ROM No.SML200503



RX-5050B
Area suffix
E ----- Continantal Europe

EX-5052S
Area suffix
B ----- U.K
E ----- Continantal Europe
EN ----- Northern Europe
EV ----- Eastern Europe

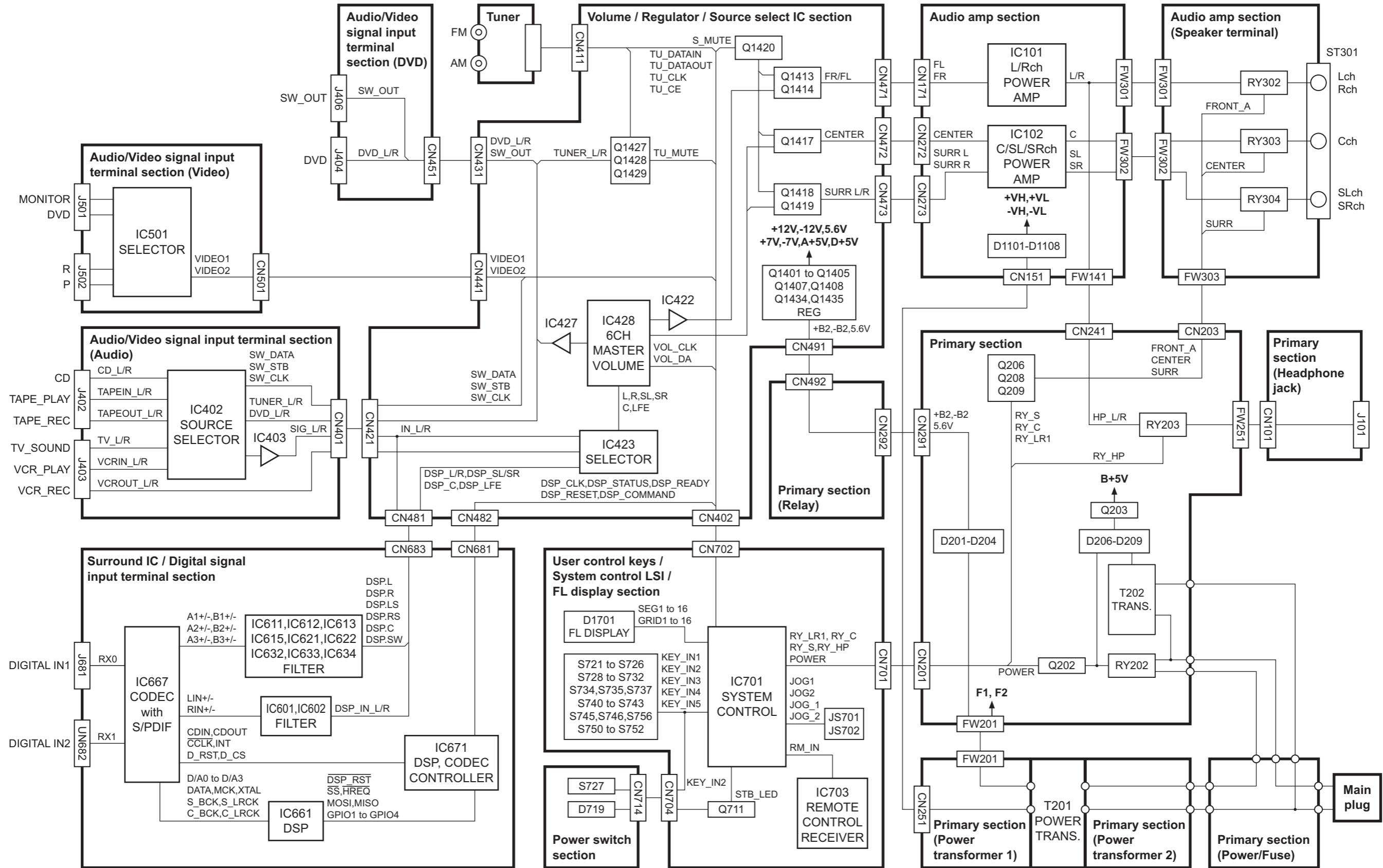


Contents

Block diagram	2-1
Standard schematic diagrams	2-2
Printed circuit boards	2-8 to 11

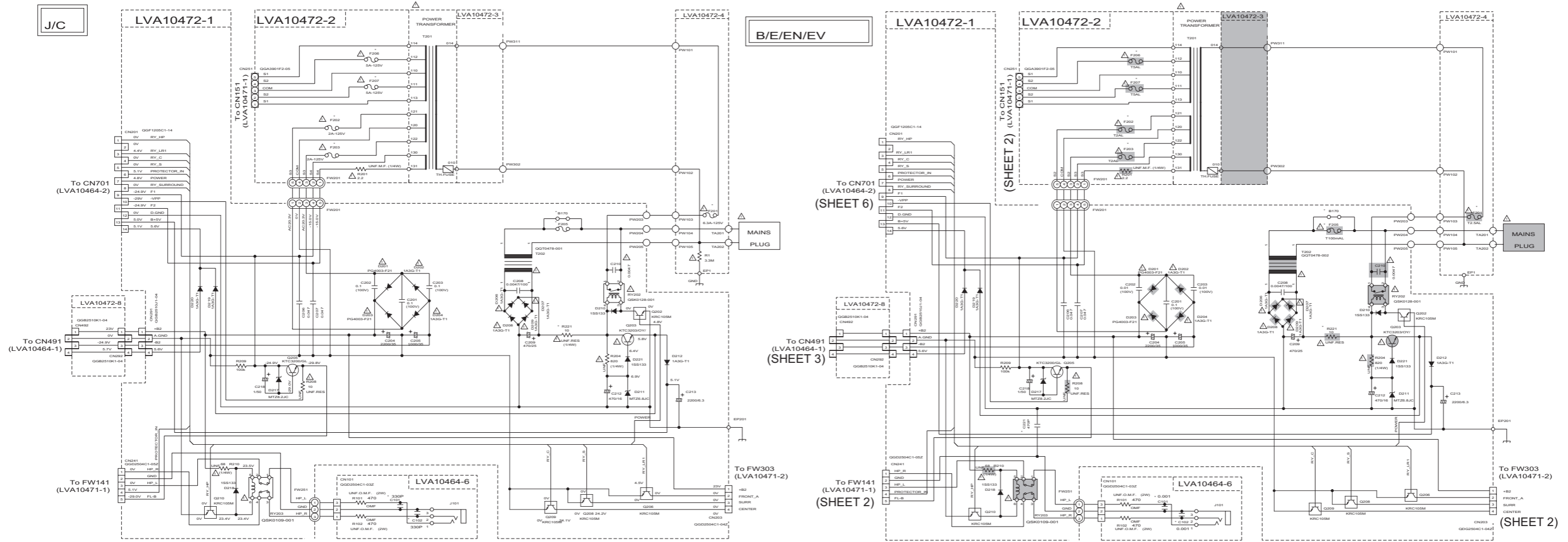
In regard with component parts appearing on the silk-screen printed side (parts side) of the PWB diagrams, the parts that are printed over with black such as the resistor (■), diode (⊣) and ICP (●) or identified by the "⚠" mark nearby are critical for safety.

Block diagram



Standard schematic diagrams

■ Primary section



	J/C	B/E/EN/EV/UP	USUT	USUT
F201	QMF5111-093-J8 (5.5A-125V)	QMF51102-280-J8 (2.5A-250V)	QMF51102-090-J8 (5A-250V)	QMF51102-090-J8 (5A-250V)
F202, F203	QMF5111-280-J8 (5A-125V)	QMF51102-280-J8 (5A-250V)	QMF51102-090-J8 (5A-250V)	QMF51102-090-J8 (5A-250V)
F204	NONE	NONE	QMF51102-280-J8 (2.5A-250V)	QMF51102-090-J8 (5A-250V)
F205	NONE	QMF5112-810-J1 (150mA-250V)	QMF5112-810-J1 (150mA-250V)	QMF5112-810-J1 (150mA-250V)
B170	USE	NONE	NONE	NONE
F206, F207	QMF5111-090-J8 (5A-125V)	QMF51102-090-J8 (5A-250V)	QMF51102-090-J8 (5A-250V)	QMF51102-090-J8 (5A-250V)
VE201	NONE	NONE	USE	USE

	J/C	B/E/EN/EV	USUT	USUT	USUT
B1, EP1	USE	NONE	NONE	NONE	NONE
R211, R212	USE	NONE	NONE	NONE	NONE
Q202, Q203	NONE	NONE	USE	USE	USE
Q211	USE	USE	NONE	NONE	NONE
R203	NONE	NONE	USE	USE	USE
T202	QDT0434-001	QDT0433-001	QDT0281-004	QDT0281-004	QDT0281-004
C209	47025	47025	47033	47033	47033
R201	2.7	2.7	5.6	5.6	5.6
C101	330P	0.001	330P	330P	330P
C102	330P	0.001	330P	330P	330P
C221	NONE	USE	NONE	NONE	NONE

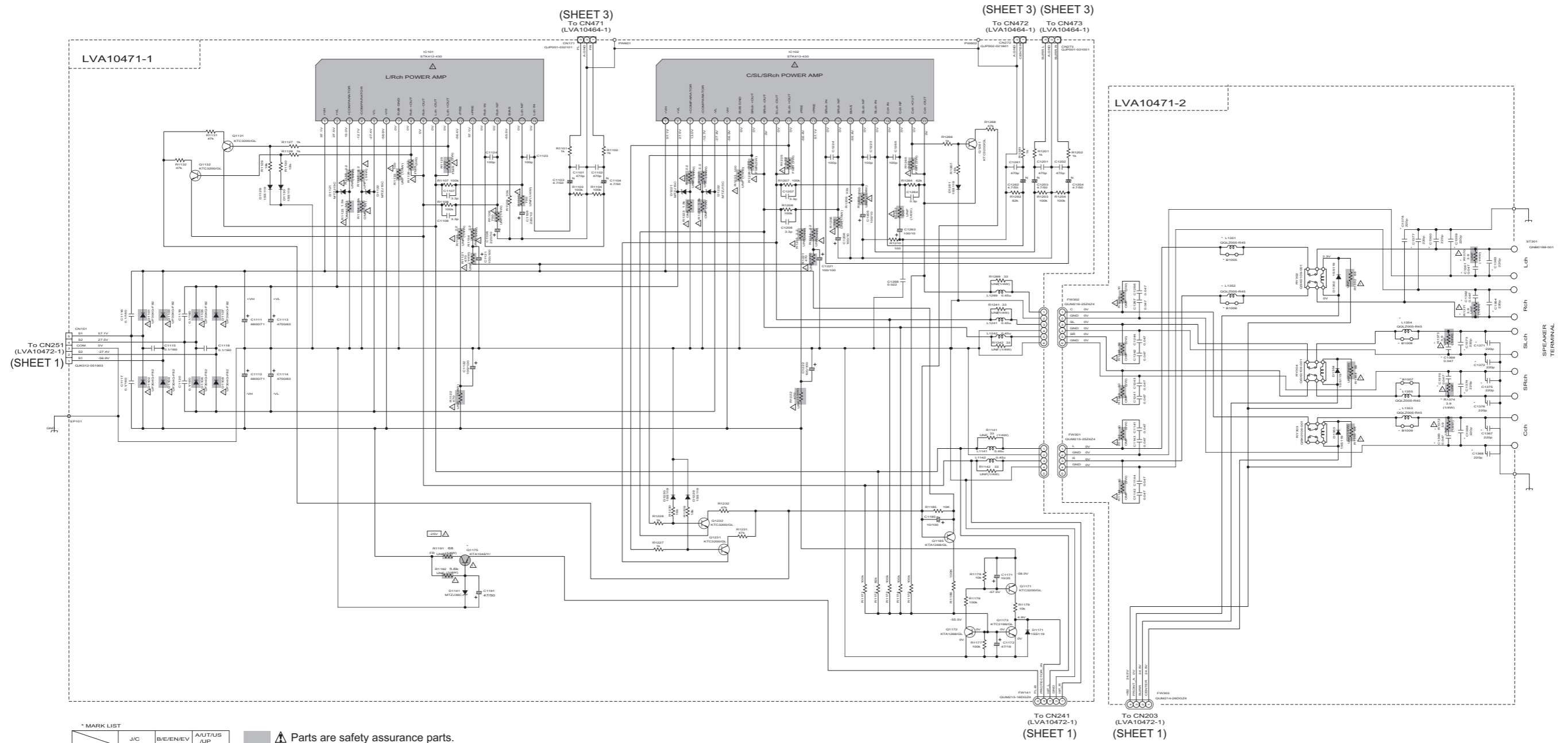
⚠ Parts are safety assurance parts. When replacing those parts make sure to use the specified one.

VERSION CODES

- J : U.S.A.
- C : CANADA
- B : U.K.
- E : CONTINENTAL EUROPE
- EN : NORTHERN EUROPE
- EV : EASTERN EUROPE
- US : SINGAPORE
- UT : TAIWAN
- UP : KOREA
- A : AUSTRALIA

SHEET	CIRCUIT DISCRPTION
1	PRIMARY (J/C/B/E/EN/EV)
2	AUDIO AMP
3	VOLUME / REGULATOR / SOURCE SELECT IC
4	AUDIO / VIDEO SIGNAL INPUT TERMINAL
5	SURROUND IC / DIGITAL SIGNAL INPUT TERMINAL
6	USER CONTROL KEYS / SYSTEMCONTROL LSI / FL DISPLAY

■ Audio amp section

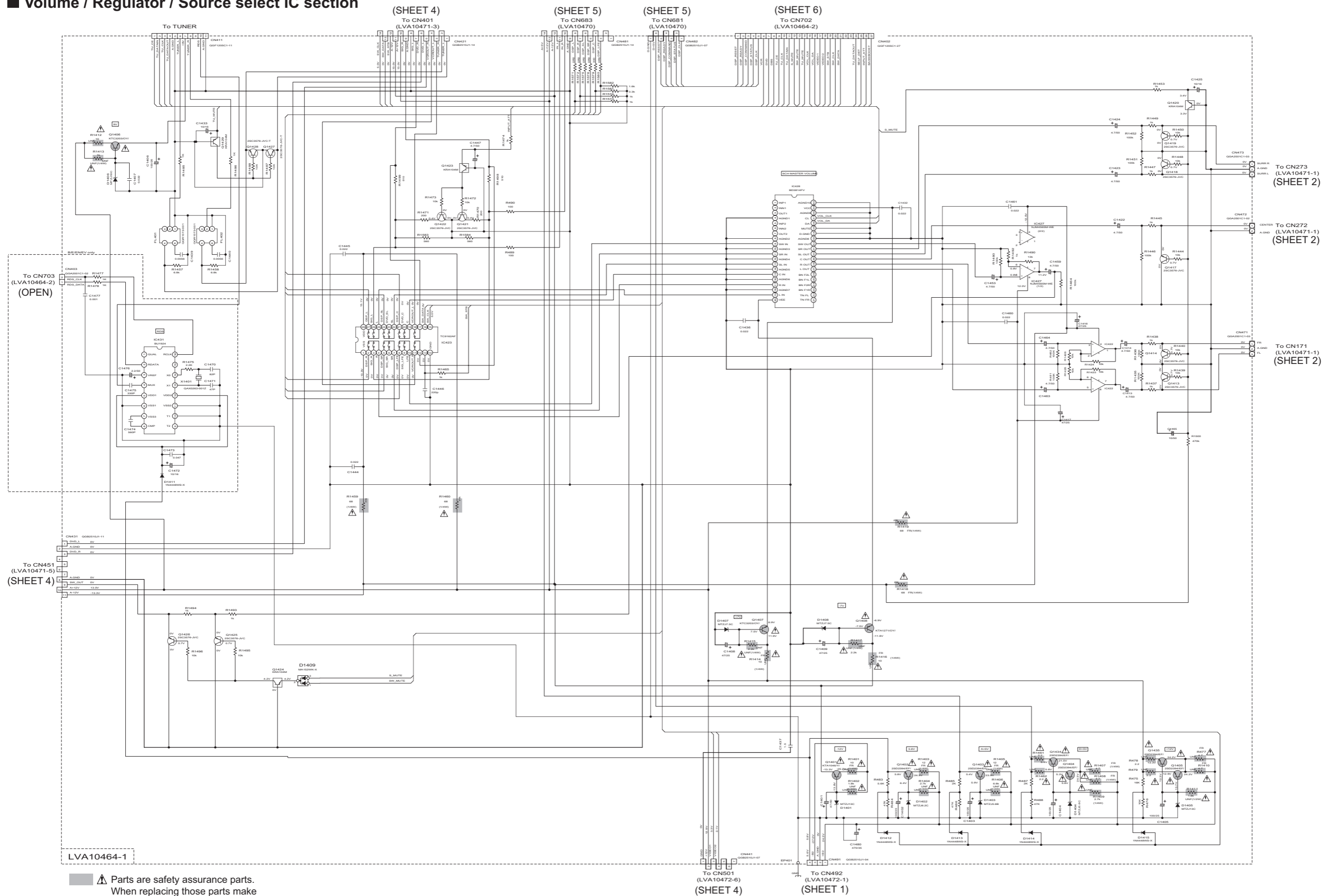


* MARK LIST

	J/C	BI/E/NEV	AUT/US J/P
B1005	USE	NONE	NONE
B1006	USE	NONE	NONE
B1007	USE	NONE	NONE
B1008	USE	NONE	NONE
B1009	USE	NONE	NONE
L1351	NONE	USE	USE
L1352	NONE	USE	USE
L1353	NONE	USE	USE
L1354	NONE	USE	USE
L1355	NONE	USE	USE
R1310,R1371	NONE	USE	USE
C1361,C1362	NONE	USE	USE
C1363,C1364	NONE	USE	USE
C1365,C1377	NONE	USE	USE
C1366,C1378	NONE	USE	USE
R1373,R1374	NONE	USE	USE
C1369,C1370	NONE	USE	USE
C1372,C1373	NONE	USE	USE
C1374,C1375	NONE	USE	USE
C1376,C1379	NONE	USE	USE
R1372	NONE	USE	USE
C1365	NONE	USE	USE
C1366	NONE	USE	USE
C1367	NONE	NONE	NONE
C1368	NONE	USE	USE

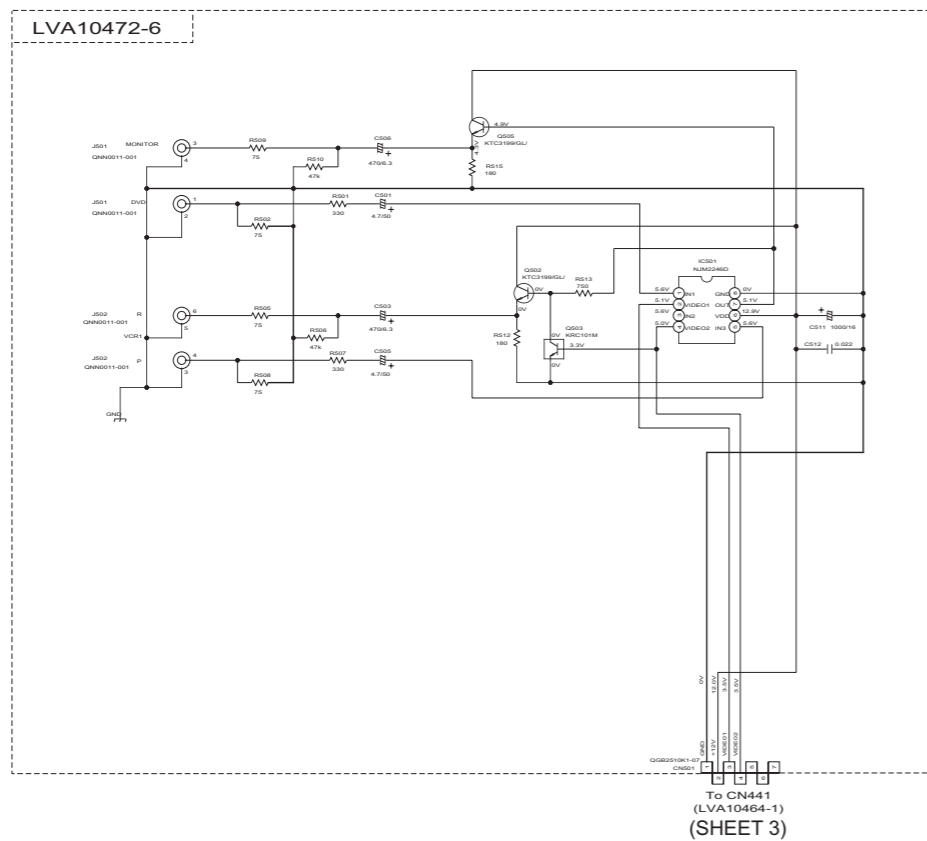
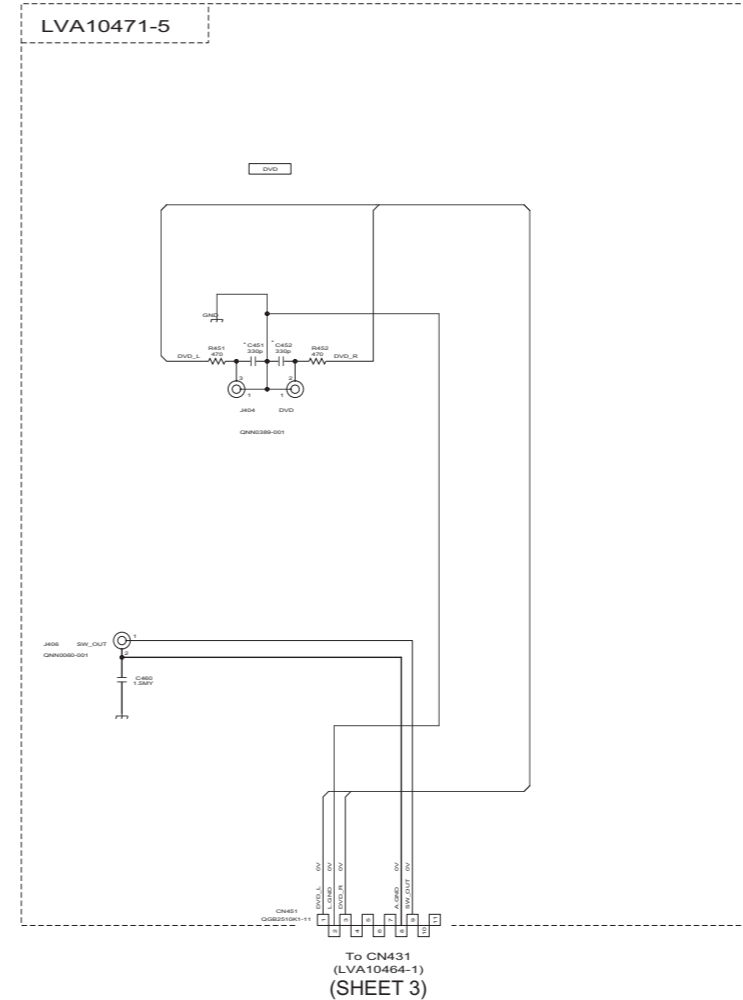
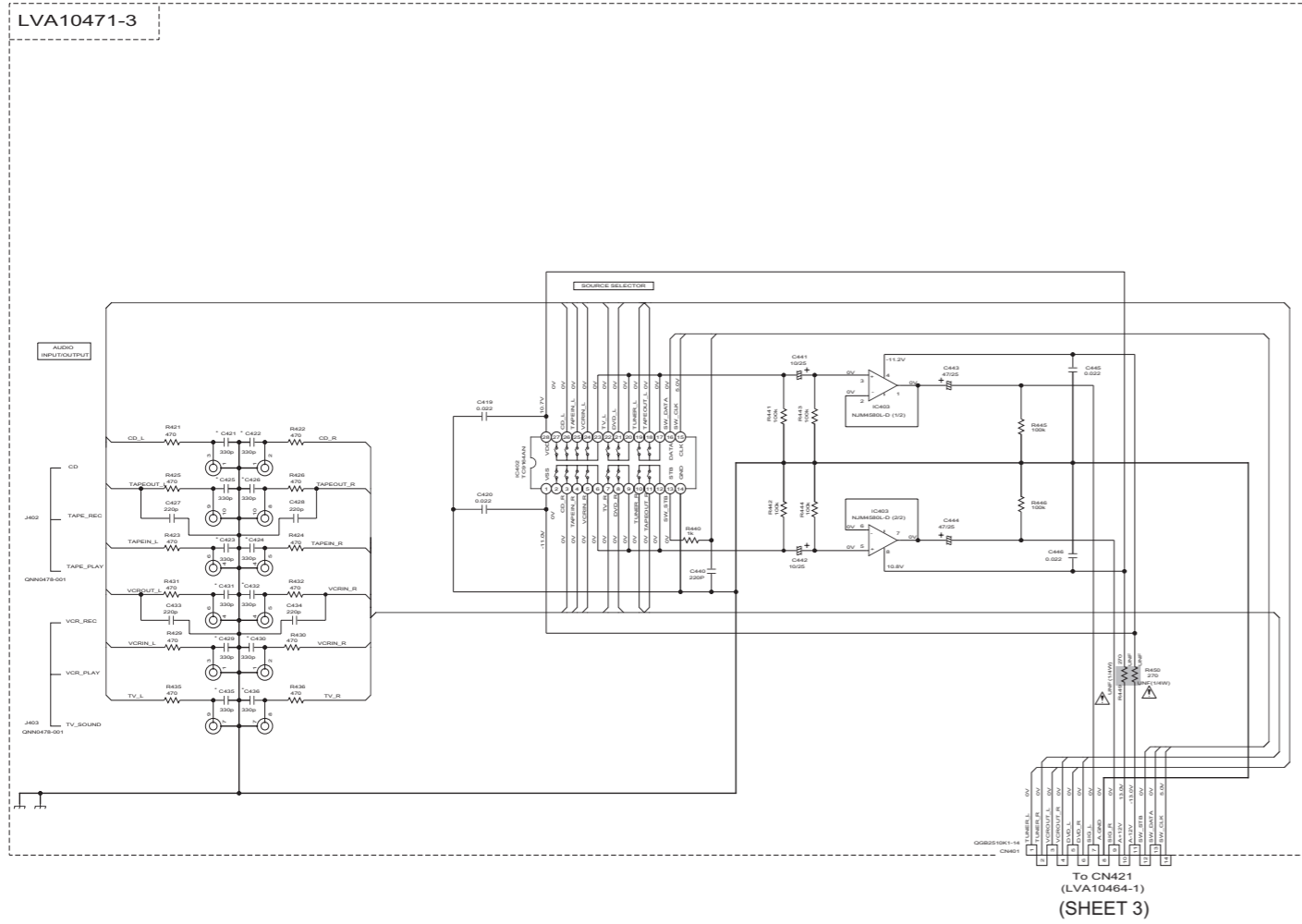
▲ Parts are safety assurance parts.
When replacing those parts make
sure to use the specified one.

■ Volume / Regulator / Source select IC section



▲ Parts are safety assurance parts.
When replacing those parts make
sure to use the specified one.

■ Audio/ Video signal input terminal section

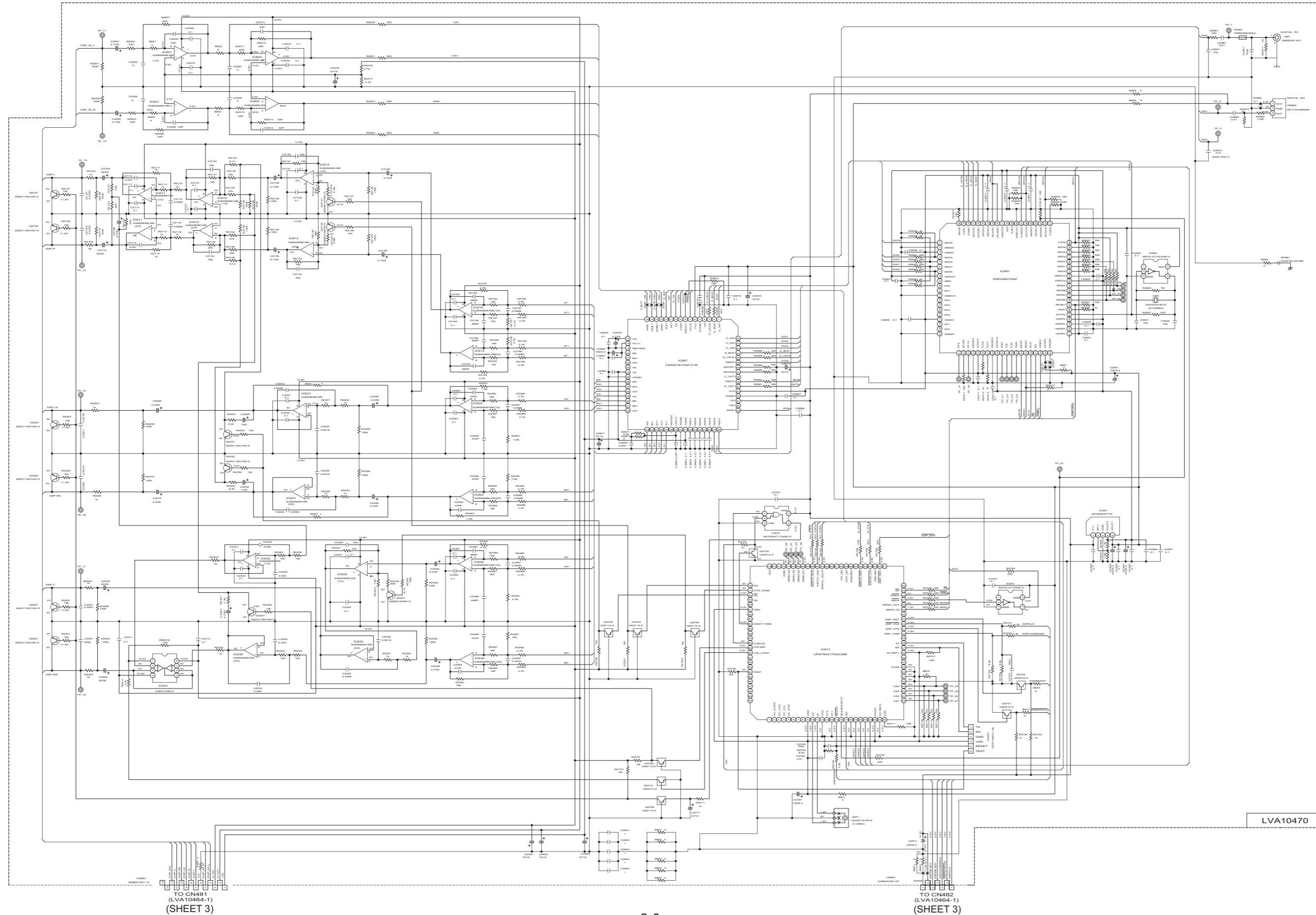


▲ Parts are safety assurance parts.
When replacing those parts make
sure to use the specified one.

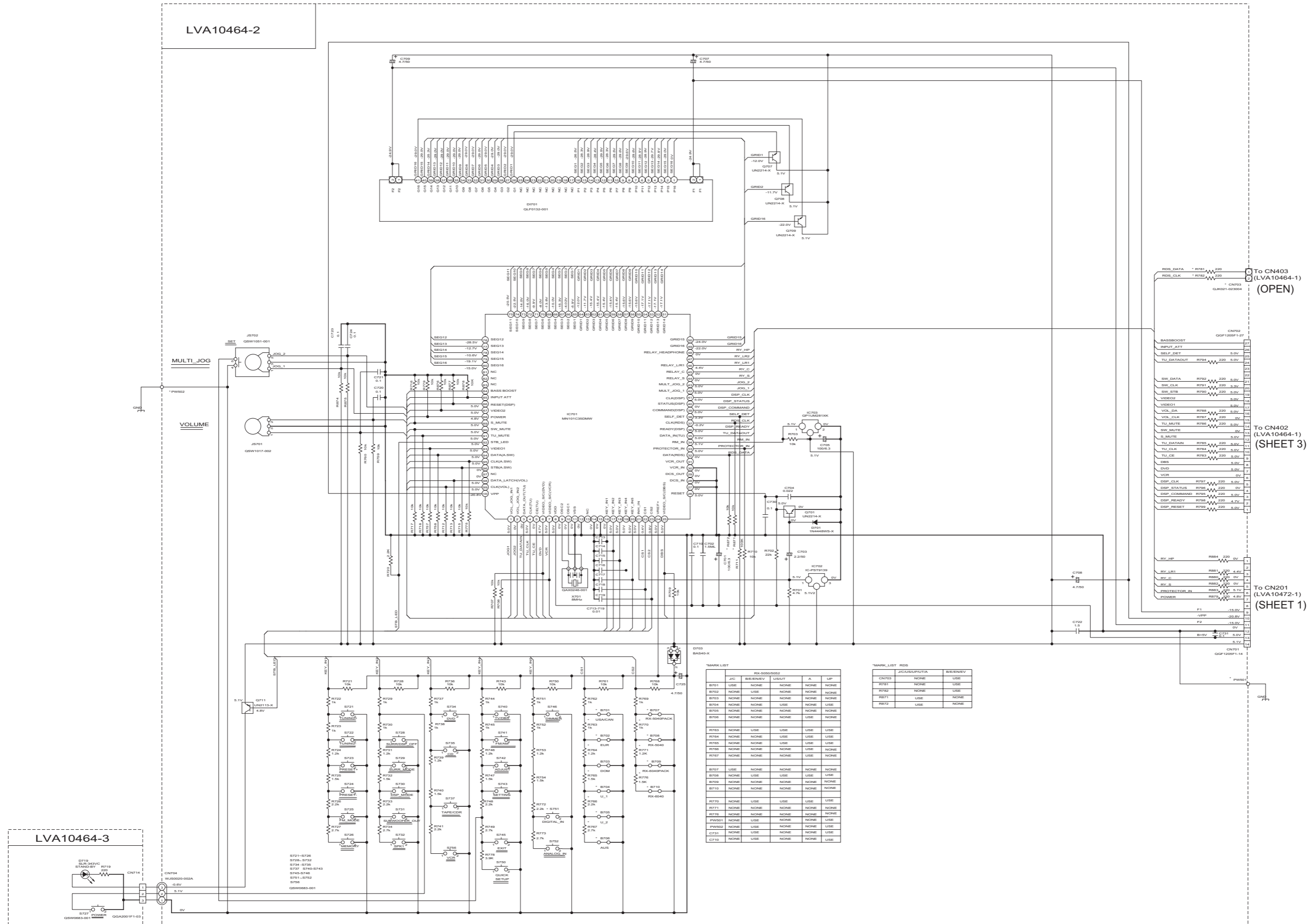
TABLE LIST

	JVC	USUTIA	BEENEVY	UP
CS11,CS12				
CS13,CS14	NONE	NONE	USE	USE
CS15,CS16				
CS17,CS18				
CS19,CS20				
CS21,CS22				

Surround IC / Digital signal input terminal section

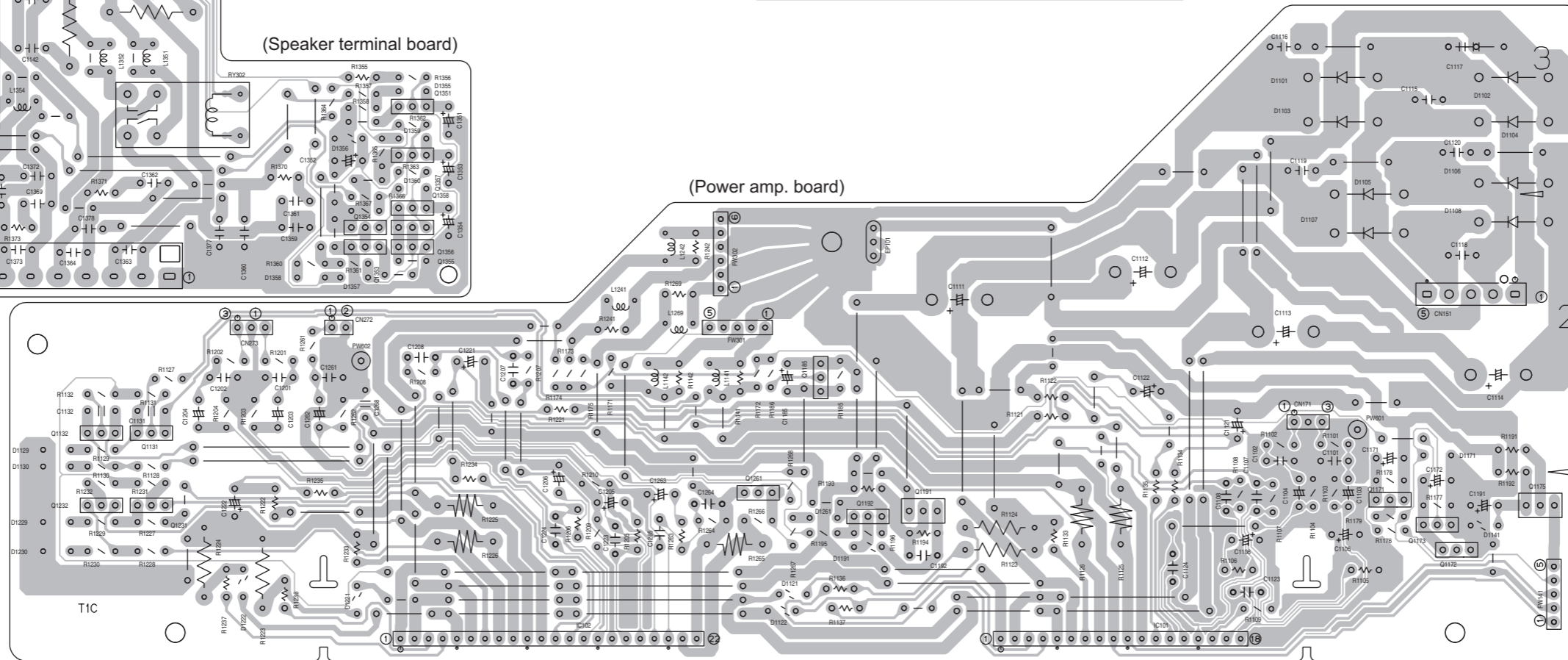
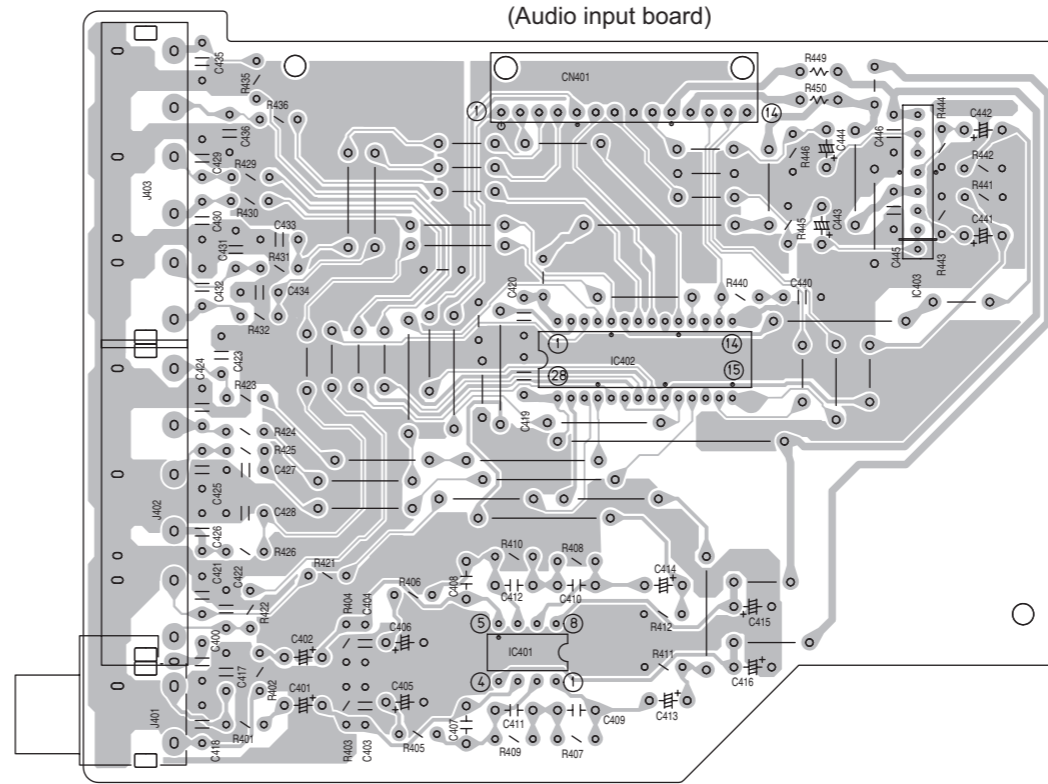
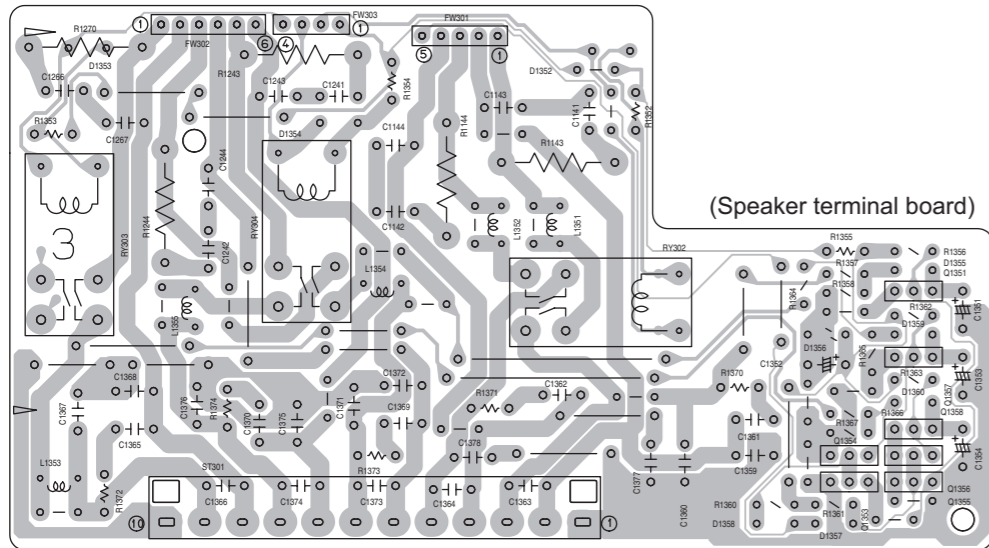
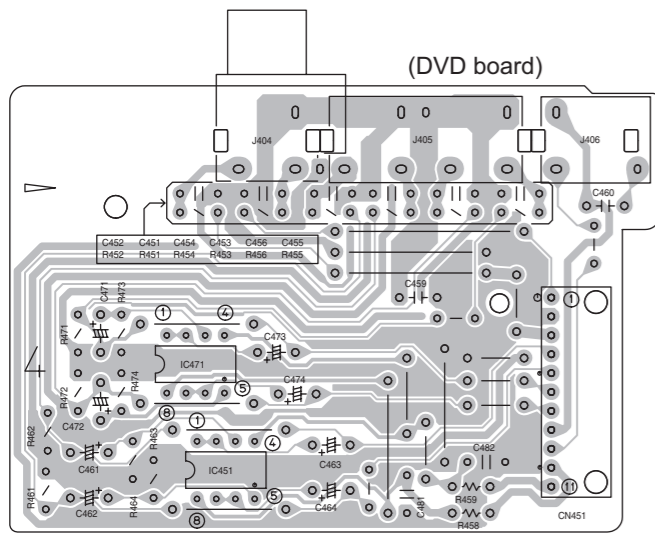


■ User control keys / System control LSI / FL display section

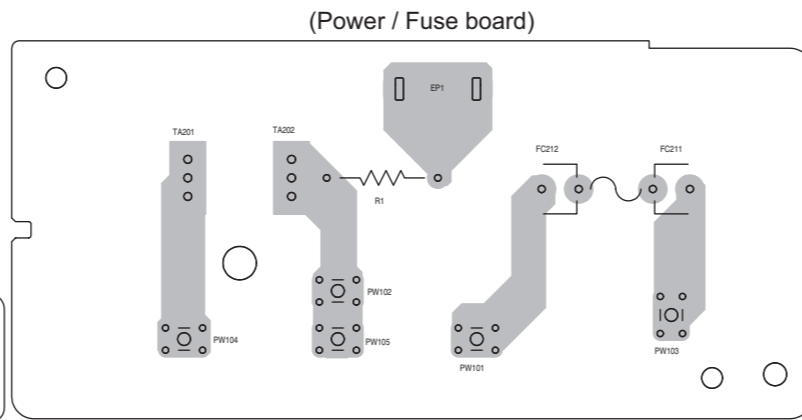
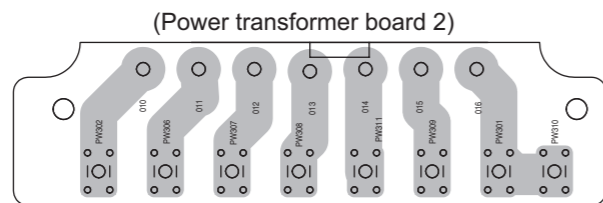
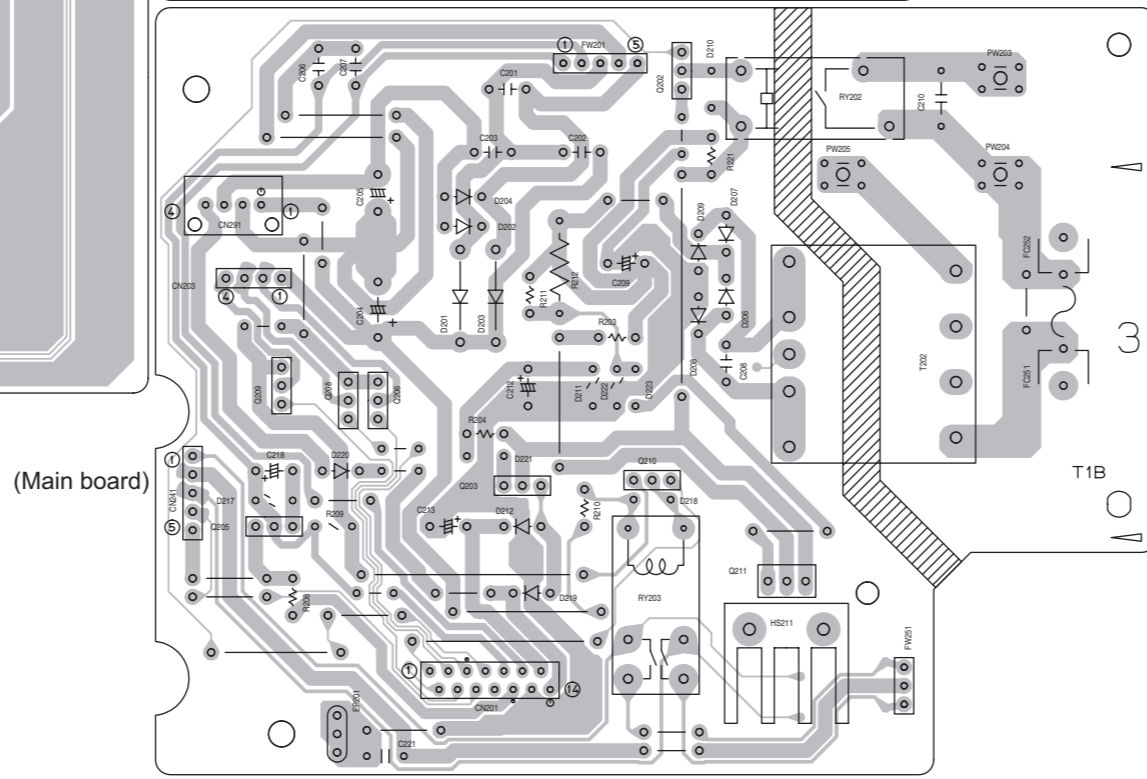
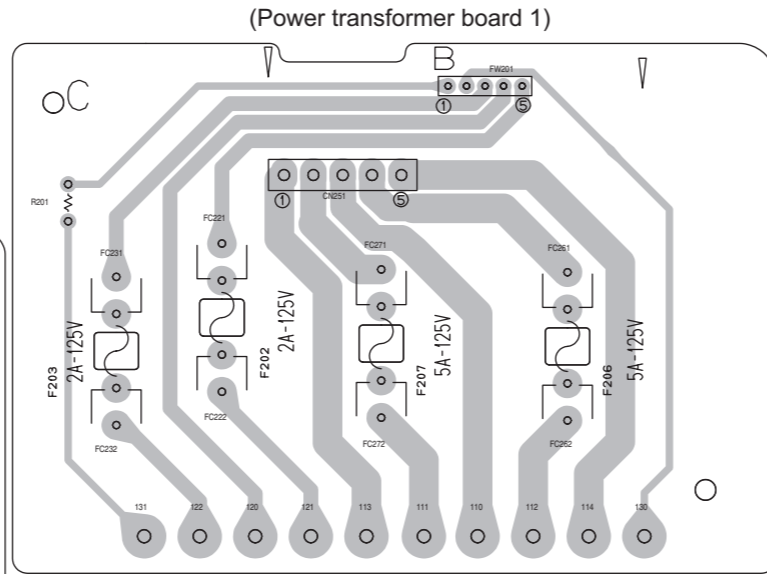
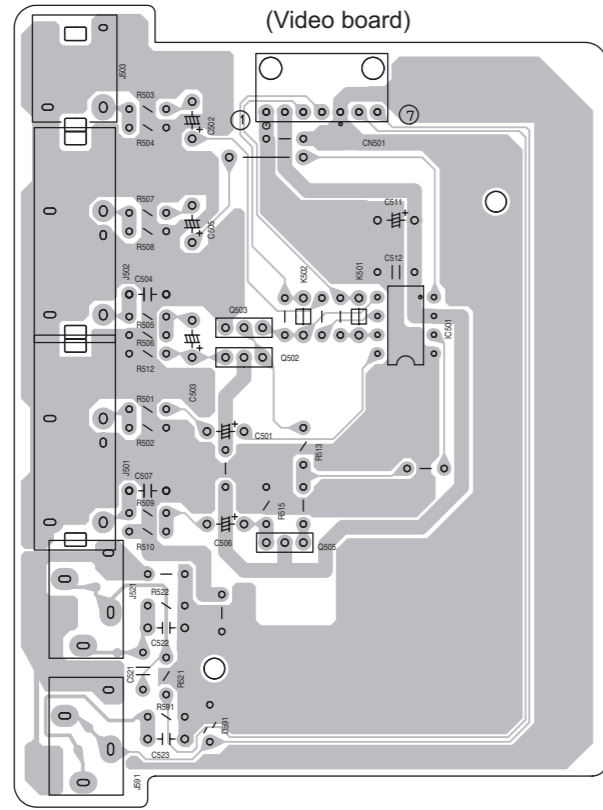
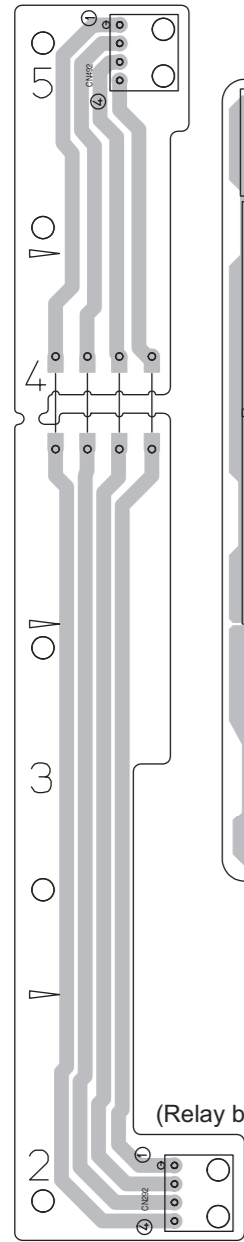


Printed circuit boards

■ Main board

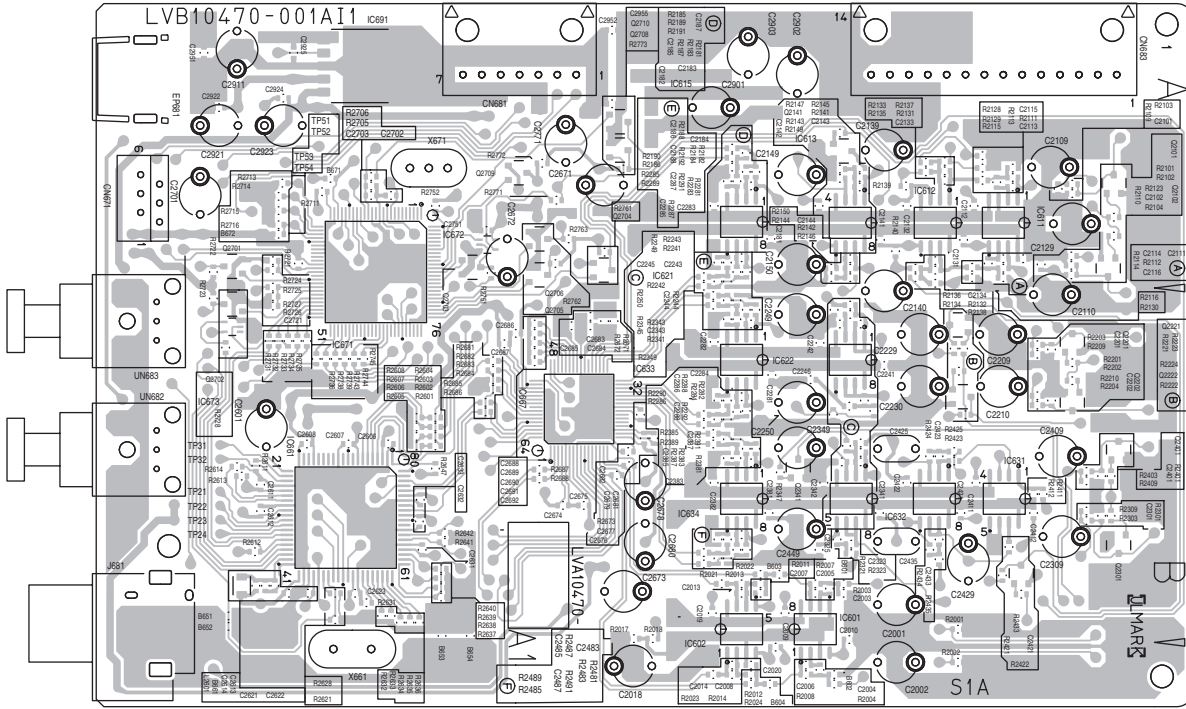


■ Power amplifier board

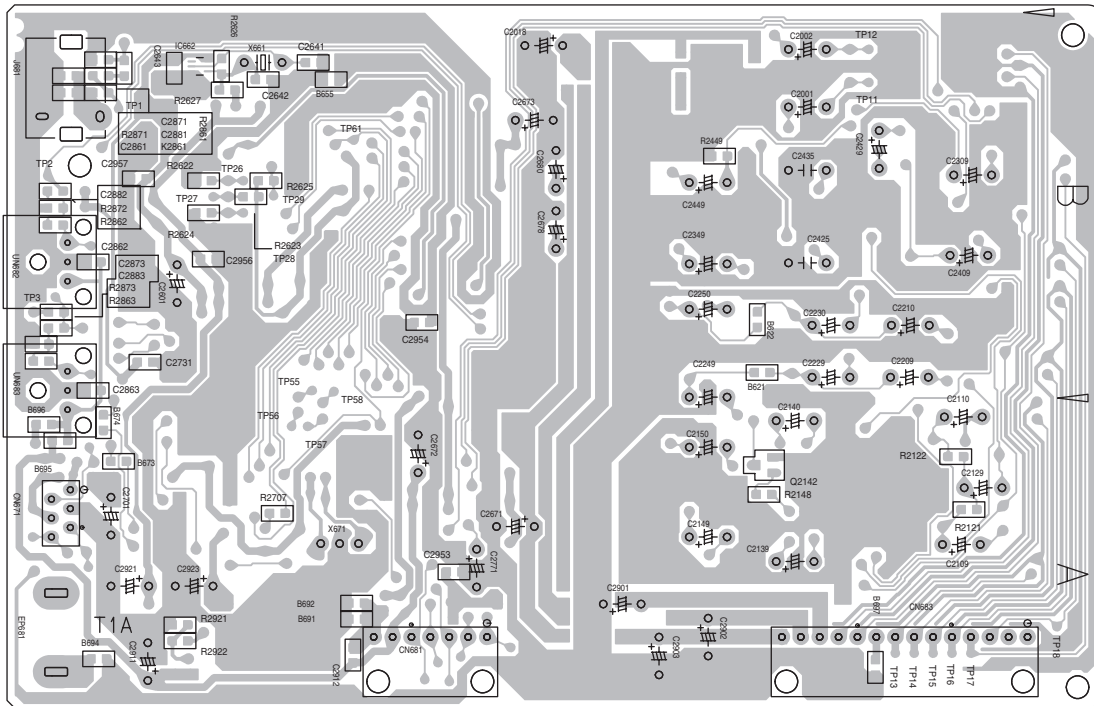


■ DSP board

Forward side



Reverse side



JVC

Victor Company of Japan, Limited

AV & MULTIMEDIA COMPANY AUDIO/VIDEO SYSTEMS CATEGORY 10-1, 1chome, Ohwatari-machi, Maebashi-city, 371-8543, Japan

(No.MB352SCH)



Printed in Japan
VPT

PARTS LIST

[RX-5050B] [RX-5052S]

* All printed circuit boards and its assemblies are not available as service parts.

RX-5050B
Area suffix
E ----- Continental Europe

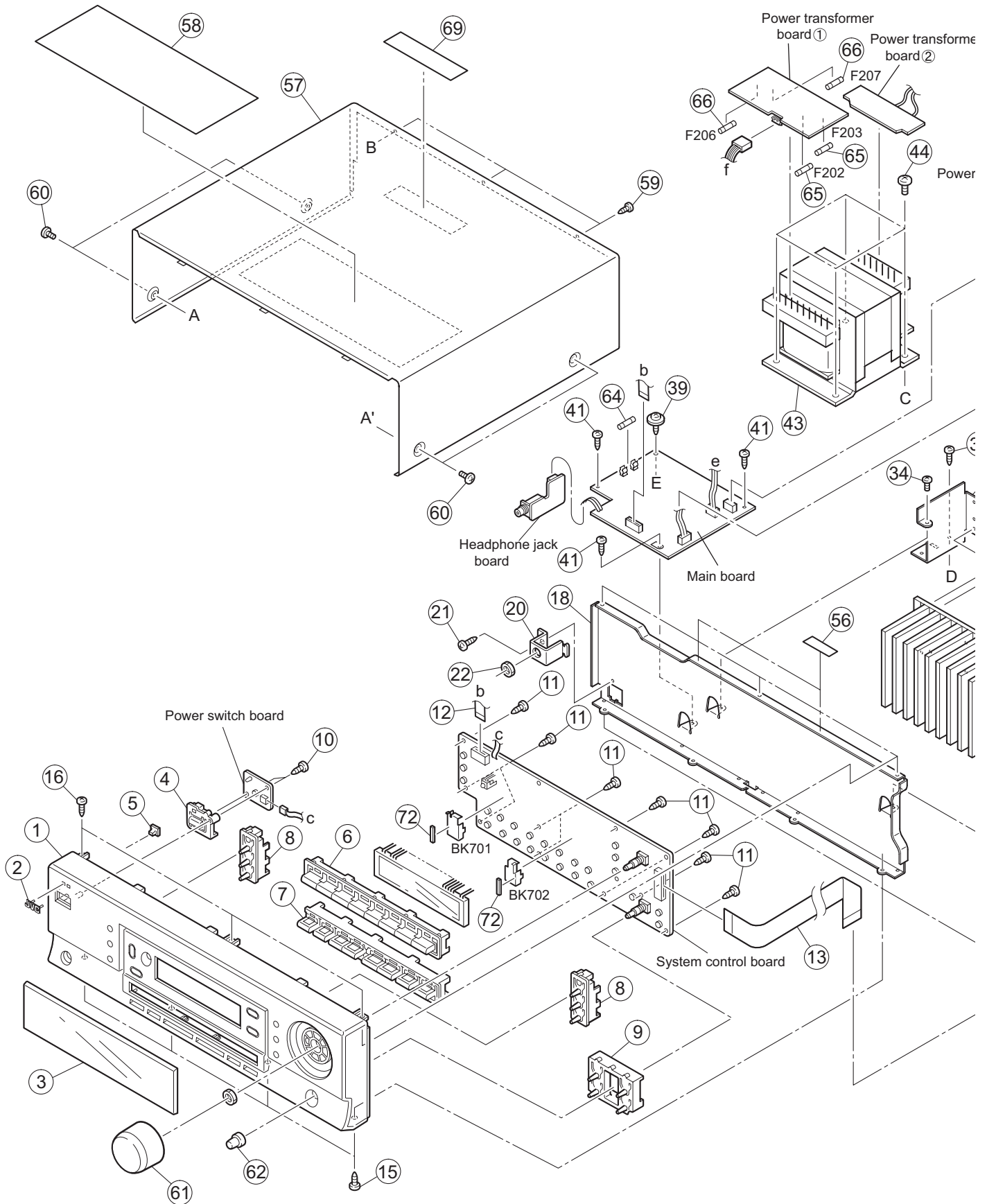
RX-5052S
Area suffix
B ----- U.K.
E ----- Continental Europe
EN ----- Northern Europe
EV ----- Eastern Europe

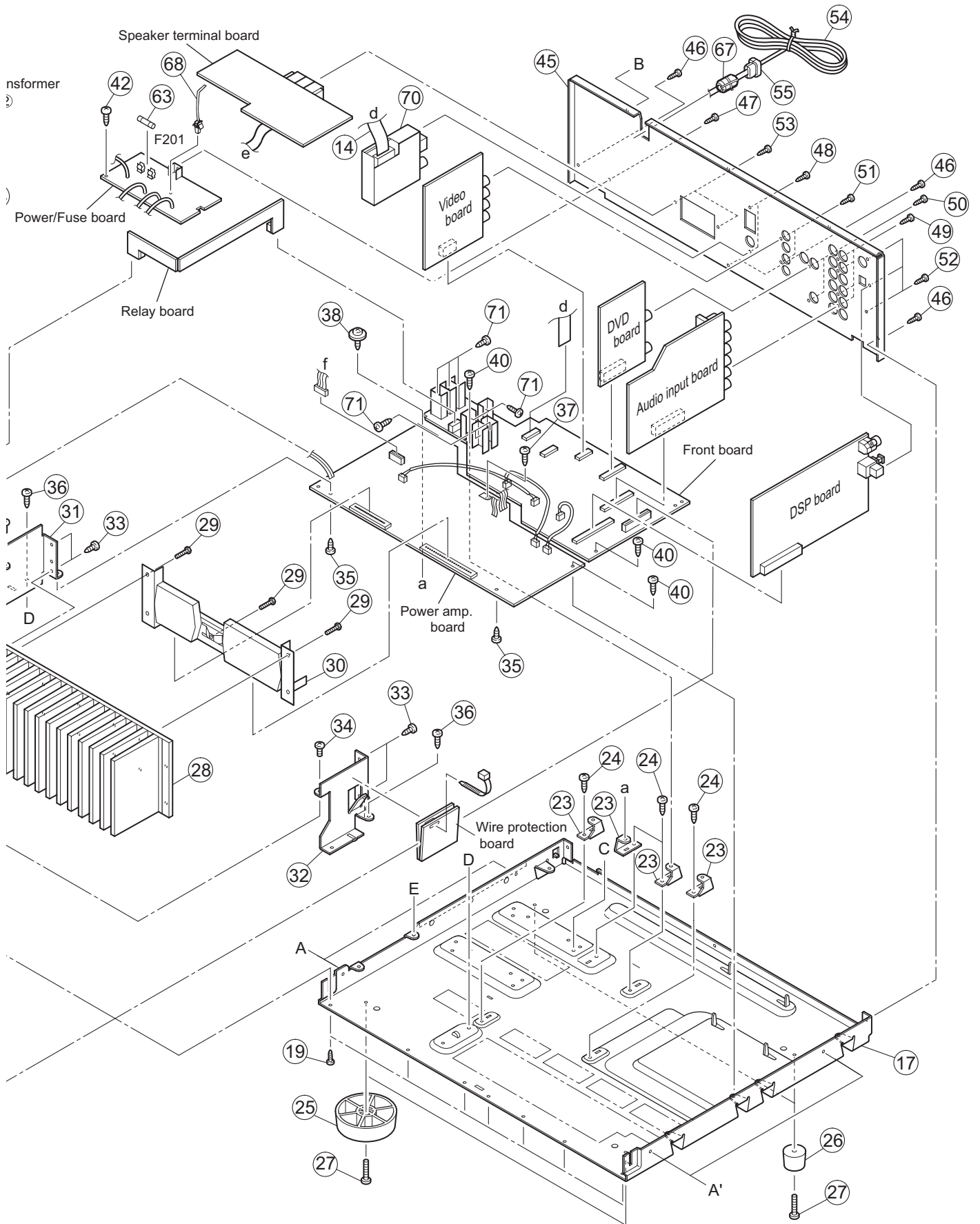
- Contents -

Exploded view of general assembly and parts list (Block No.M1)	3- 2
Electrical parts list (Block No.01~04)	3- 6
Packing materials and accessories parts list (Block No.M3).....	3-14

Exploded view of general assembly and parts list

Block No. M 1 M M





General Assembly

Block No. [M][1][M][M]

△	Symbol No.	Part No.	Part Name	Description	Local
	1	LV10756-028A	FRONT PANEL		5050BE
	1	LV10756-030A	FRONT PANEL		5052SB,5052SE,5052SEN,5052SEV
	2	LV43338-001A	JVC MARK		5050BE
	2	LV43338-002A	JVC MARK		5052SB,5052SE,5052SEN,5052SEV
	3	LV34003-001A	LENS		
	4	LV34000-001A	PUSH BUTTON(POW)		5050BE
	4	LV34000-002A	PUSH BUTTON(POW)		5052SB,5052SE,5052SEN,5052SEV
	5	LV42096-001A	INDICATOR		
	6	LV21419-003A	PUSH BUTTON(50)		5050BE
	6	LV21419-004A	PUSH BUTTON(50)		5052SB,5052SE,5052SEN,5052SEV
	7	LV21421-001A	PUSH BUTTON(FM)		5050BE
	7	LV21421-002A	PUSH BUTTON(FM)		5052SB,5052SE,5052SEN,5052SEV
	8	LV34001-001A	3-BUTTON	(x2)	5050BE
	8	LV34001-002A	3-BUTTON	(x2)	5052SB,5052SE,5052SEN,5052SEV
	9	LV34002-001A	4-BUTTON		5050BE
	9	LV34002-002A	4-BUTTON		5052SB,5052SE,5052SEN,5052SEV
	10	QYSBSF2608ZA	TAP SCREW	M2.6 x 8mm(x2)	
	11	QYSBSF2608ZA	TAP SCREW	M2.6 x 8mm(x9)	
	12	QUQ412-1415CJ	FFC WIRE	14pin 15cm	
	13	QUQ412-2729CJ	FFC WIRE	27pin 29cm	
	14	QUQ412-1110CJ	FFC WIRE	11pin 10cm	
	15	QYSDSG3008ZA	TAP SCREW	M3 x 8mm(x4)	
	16	QYSBSG3008ZA	TAP SCREW	M3 x 8mm(x3)	
	17	LV10873-002A	CHASSIS BASE		
	18	LV10458-003A	FRONT BRACKET		
	19	QYSDSG3008ZA	TAP SCREW	M3 x 8mm(x7)	
	20	LV43304-001A	BKT(PHONES)		
	21	QYSBSG3008ZA	TAP SCREW	M3 x 8mm	
	22	VKZ4150-001	SPECIAL NUT		
	23	E68587-223SM	CB BKT	(x4)	
	24	QYSBST3006ZA	TAP SCREW	M3 x 6mm(x4)	
	25	QZF6018-001	FOOT	60mm x 18mm(x2)	5050BE
	25	QZF6018-003	FOOT	60mm x 18mm(x2)	5052SB,5052SE,5052SEN,5052SEV
	26	E47227-036	FOOT	(x2)	
	27	QYSBST3010ZA	TAP SCREW	M3 x 10mm(x4)	
	28	LV20916-003A	HEAT SINK		
	29	QYSBSG3012ZA	TAP SCREW	M3 x 12mm(x3)	
	30	LV34704-001A	PACK BRACKET		
	31	LV34705-001A	H.S BRACKET(L)		
	32	LV34706-001A	H.S BRACKET(R)		
	33	QYSBSG3008ZA	TAP SCREW	M3 x 8mm(x4)	
	34	QYSBST3006ZA	TAP SCREW	M3 x 6mm(x2)	
	35	QYSBSG3008ZA	TAP SCREW	M3 x 8mm(x2)	
	36	QYSBST3006ZA	TAP SCREW	M3 x 6mm(x2)	
	37	QYSBSG3008ZA	TAP SCREW	M3 x 8mm	
	38	E65923-009	TAPPING SCREW		
	39	E65923-009	TAPPING SCREW		
	40	QYSBSG3008ZA	TAP SCREW	M3 x 8mm(x3)	
	41	QYSBSG3008ZA	TAP SCREW	M3 x 8mm(x3)	
	42	QYSBSG3008ZA	TAP SCREW	M3 x 8mm	
△	43	QQT0421-001	POWER TRANSF		
	44	QYSDSTL4008ZA	TAP SCREW	M4 x 8mm(x4)	
	45	LV20915-098A	REAR PANEL		5050BE
	45	LV20915-0A1A	REAR PANEL		5052SB,5052SE,5052SEN
	45	LV20915-0A2A	REAR PANEL		5052SEV
	46	QYSBSGY3008EA	TAP SCREW	M3 x 8mm(x3)	
	47	QYSBSGY3008EA	TAP SCREW	M3 x 8mm	
	48	QYSBSGY3008EA	TAP SCREW	M3 x 8mm(x2)	
	49	QYSBSGY3008EA	TAP SCREW	M3 x 8mm(x4)	
	50	QYSBSGY3008EA	TAP SCREW	M3 x 8mm(x2)	
	51	QYSBSGY3008EA	TAP SCREW	M3 x 8mm(x2)	
	52	QYSBSGY3008EA	TAP SCREW	M3 x 8mm(x3)	
	53	QYSBSGY3008EA	TAP SCREW	M3 x 8mm(x2)	
△	54	QMPN100-200-JD	POWER CORD(EU)	2m BLACK	5052SB
△	54	QMPK250-205-JV	POWER CORD(EU)	2.05m BLACK	5050BE,5052SE,5052SEN,5052SEV
△	55	QZW0033-001	STRAIN RELIEF		
	56	LV30225-0H3A	SPACER	(x2)	
	57	LV21649-003A	TOP COVER		5050BE
	57	LV21649-004A	TOP COVER		5052SB,5052SE,5052SEN,5052SEV
	58	LV30077-004A	PROTECT SHEET		5050BE
	58	LV30077-006A	PROTECT SHEET		5052SB,5052SE,5052SEN,5052SEV
	59	QYSBSGY3008EA	TAP SCREW	M3 x 8mm(x3)	
	60	E406308-006	SCREW	(x4)	5050BE
	60	E406308-007	SCREW	(x4)	5052SB,5052SE,5052SEN,5052SEV

△	Symbol No.	Part No.	Part Name	Description	Local
	61	LV43463-001A	VOL KNOB ASSY		5050BE
	61	LV43463-002A	VOL KNOB ASSY		5052SB,5052SE,5052SEN,5052SEV
	62	LV43458-001A	JOG KNOB ASSY		5050BE
	62	LV43458-002A	JOG KNOB ASSY		5052SB,5052SE,5052SEN,5052SEV
△	63	QMF51W2-2R5-J8	FUSE	F201 2.5A AC250V	
△	64	QMF51E2-R10-J1	FUSE	F205 0.1A AC250V	
△	65	QMF51W2-2R0-J8	FUSE	F202 F203 2A AC250V(x2)	
△	66	QMF51W2-5R0-J8	FUSE	F206 F207 5A AC250V(x2)	
	67	QQR0491-001	FERRITE CORE	FL1 TDK (GRAY)	
	68	E307572-001	FASTENER		
	69	E409396-003	CAUTION LABEL		
	70	QAU0278-003	TUNER		
	71	QYSBSG3008EA	TAP SCREW	M3 x 8mm(x7)	
	72	LV30225-0S7A	SPACER	FS 400(x2)	

Electrical parts list

Main board

Block No. [0][1]				
△ Symbol No.	Part No.	Part Name	Description	Local
PW101	QUB112-14PPPP	SIN TWIST WIRE		
PW102	QUB116-16PPPP	PIN WIRE		
PW103	QUB112-26PPPP	SIN TWIST WIRE		
PW104	QUB111-30PPPP	SIN TWIST WIRE		
PW105	QUB116-30PPPP	SIN TWIST WIRE		
IC501	NJM2246D	IC		
Q202	KRC105M-T	DIGI TRANSISTOR		
△ Q203	KTC3203/OY/-T	TRANSISTOR		
Q205	KTC3200/GL/-T	TRANSISTOR		
Q206	KRC105M-T	DIGI TRANSISTOR		
Q208	KRC105M-T	DIGI TRANSISTOR		
Q209	KRC105M-T	DIGI TRANSISTOR		
Q210	KRC105M-T	DIGI TRANSISTOR		
Q502	KTC3199/GL/-T	TRANSISTOR		
Q503	KRC101M-T	TRANSISTOR		
Q505	KTC3199/GL/-T	TRANSISTOR		
△ D201	PG4003-F21	DIODE		
△ D202	1A3G-T1	SI DIODE		
△ D203	PG4003-F21	DIODE		
△ D204	1A3G-T1	SI DIODE		
△ D206	1A3G-T1	SI DIODE		
△ D207	1A3G-T1	SI DIODE		
△ D208	1A3G-T1	SI DIODE		
△ D209	1A3G-T1	SI DIODE		
D210	1SS133-T2	SI DIODE		
D211	MTZJ6.8C-T2	Z DIODE		
D212	1A3G-T1	SI DIODE		
D217	MTZJ8.2C-T2	Z DIODE		
D218	1SS133-T2	SI DIODE		
D219	1A3G-T1	SI DIODE		
D220	1A3G-T1	SI DIODE		
D221	1SS133-T2	SI DIODE		
C201	QFLC2AJ-104Z	M CAPACITOR	0.1uF 100V J	
C202	QFLC2AJ-104Z	M CAPACITOR	0.1uF 100V J	
C203	QFLC2AJ-104Z	M CAPACITOR	0.1uF 100V J	
C204	QETM1VM-228	E CAPACITOR	2200uF 35V M	
C205	QETM1VM-108	E CAPACITOR	1000uF 35V M	
C206	QFLC1HJ-473Z	M CAPACITOR	0.047uF 50V J	
C207	QFLC1HJ-473Z	M CAPACITOR	0.047uF 50V J	
C208	QFLC2AJ-472Z	M CAPACITOR	4700pF 100V J	
C209	QETN1EM-477Z	E CAPACITOR	470uF 25V M	
△ C210	QCZ9104-472	C CAPACITOR	4700pF	
C212	QETN1CM-477Z	E CAPACITOR	470uF 16V M	
C213	QETNOJM-228Z	E CAPACITOR	2200uF 6.3V M	
C218	QETN1HM-105Z	E CAPACITOR	1uF 50V M	
C221	QCBB1HK-471Y	C CAPACITOR	470pF 50V K	
C501	QEKC1HM-475Z	E CAPACITOR	4.7uF 50V M	
C503	QETNOJM-477Z	E CAPACITOR	470uF 6.3V M	
C505	QEKC1HM-475Z	E CAPACITOR	4.7uF 50V M	
C506	QETNOJM-477Z	E CAPACITOR	470uF 6.3V M	
C511	QETN1CM-108Z	E CAPACITOR	1000uF 16V M	
C512	QCBB1HK-223Y	C CAPACITOR	0.022uF 50V K	
△ R201	QRJ146J-2R2X	UNF C RESISTOR	2.2Ω 1/4W J	
△ R204	QRJ146J-821X	UNF C RESISTOR	820Ω 1/4W J	
△ R208	QRJ146J-100X	UNF C RESISTOR	10Ω 1/4W J	
R209	QRE141J-104Y	C RESISTOR	100kΩ 1/4W J	
△ R210	QRJ146J-680X	UNF C RESISTOR	68Ω 1/4W J	
△ R221	QRJ146J-100X	UNF C RESISTOR	10Ω 1/4W J	
R501	QRE141J-331Y	C RESISTOR	330Ω 1/4W J	
R502	QRE141J-750Y	C RESISTOR	75Ω 1/4W J	
R505	QRE141J-750Y	C RESISTOR	75Ω 1/4W J	
R506	QRE141J-473Y	C RESISTOR	47kΩ 1/4W J	
R507	QRE141J-331Y	C RESISTOR	330Ω 1/4W J	
R508	QRE141J-750Y	C RESISTOR	75Ω 1/4W J	
R509	QRE141J-750Y	C RESISTOR	75Ω 1/4W J	
R510	QRE141J-473Y	C RESISTOR	47kΩ 1/4W J	
R512	QRE141J-181Y	C RESISTOR	180Ω 1/4W J	

△ Symbol No.	Part No.	Part Name	Description	Local
R513	QRE141J-751Y	C RESISTOR	750Ω 1/4W J	
R515	QRE141J-181Y	C RESISTOR	180Ω 1/4W J	
△ T202	QQT0478-002	POWER TRANSF		
CN201	QGF1205C1-14	CONNECTOR	FFC/FPC (1-14)	
CN203	QGD2504C1-04Z	CONNECTOR	(1-4)	
CN241	QGD2504C1-05Z	CONNECTOR	(1-5)	
CN251	QGA3901F2-05	CONNECTOR	W-B (1-5)	
CN291	QGB2510J1-04	CONNECTOR	B-B (1-4)	
CN292	QGB2510K1-04	CONNECTOR	B-B (1-4)	
CN492	QGB2510K1-04	CONNECTOR	B-B (1-4)	
CN501	QGB2510K1-07	CONNECTOR	B-B (1-7)	
EP1	E409182-001SM	GRAND TERMINAL		
EP201	QNZ0136-001Z	EARTH PLATE		
FC211	QNG0020-001Z	FUSE CLIP		
FC212	QNG0020-001Z	FUSE CLIP		
FC221	QNG0020-001Z	FUSE CLIP		
FC222	QNG0020-001Z	FUSE CLIP		
FC231	QNG0020-001Z	FUSE CLIP		
FC232	QNG0020-001Z	FUSE CLIP		
FC251	QNG0020-001Z	FUSE CLIP		
FC252	QNG0020-001Z	FUSE CLIP		
FC261	QNG0020-001Z	FUSE CLIP		
FC262	QNG0020-001Z	FUSE CLIP		
FC271	QNG0020-001Z	FUSE CLIP		
FC272	QNG0020-001Z	FUSE CLIP		
FW201	QUM215-14Z4Z4	PARA RIBON WIRE		
FW251	QUM213-08DGZ4	PARA RIBON WIRE		
J501	QNN0011-001	PIN JACK		
J502	QNN0011-001	PIN JACK		
△ RY202	QSK0128-001	RELAY		
△ RY203	QSK0109-001	RELAY		
TA201	QNZ0079-001Z	TAB		
TA202	QNZ0079-001Z	TAB		

Power amp. board

Block No. [0][2]				
△ Symbol No.	Part No.	Part Name	Description	Local
△ IC101	STK412-430	POWER I.C		
△ IC102	STK413-430	IC		
IC402	TC9164AN	IC		
IC403	NJM4580L-D	IC		
Q1131	KTC3200/GL/-T	TRANSISTOR		
Q1132	KTC3200/GL/-T	TRANSISTOR		
Q1171	KTC3200/GL/-T	TRANSISTOR		
Q1172	KTA1268/GL/-T	TRANSISTOR		
Q1173	KTC3199/GL/-T	TRANSISTOR		
△ Q1175	KTA1046/Y/	TRANSISTOR		
Q1185	KTA1268/GL/-T	TRANSISTOR		
Q1191	2SD2395/EF/	TRANSTRANSISTOR		
Q1192	KTC3200/GL/-T	TRANSISTOR		
Q1231	KTC3200/GL/-T	TRANSISTOR		
Q1232	KTC3200/GL/-T	TRANSISTOR		
Q1261	KTC3200/GL/-T	TRANSISTOR		
△ D1101	UF304G-F82	FR DIOAE		
△ D1102	UF304G-F82	FR DIOAE		
△ D1103	UF304G-F82	FR DIOAE		
△ D1104	UF304G-F82	FR DIOAE		
△ D1105	UF304G-F82	FR DIOAE		
△ D1106	UF304G-F82	FR DIOAE		
△ D1107	UF304G-F82	FR DIOAE		
△ D1108	UF304G-F82	FR DIOAE		
D1121	MTZJ15C-T2	Z DIODE		
D1122	MTZJ15C-T2	Z DIODE		
D1129	1SS119-041-T2	DIODE		
D1130	1SS119-041-T2	DIODE		
D1141	MTZJ36C-T2	Z DIODE		

△ Symbol No.	Part No.	Part Name	Description	Local	△ Symbol No.	Part No.	Part Name	Description	Local
D1171	1SS119-041-T2	DIODE			C1221	QETN2AM-107Z	E CAPACITOR	100uF 100V M	
D1191	MTZJ30C-T2	Z DIODE			C1222	QETN2AM-107Z	E CAPACITOR	100uF 100V M	
D1221	MTZJ15C-T2	Z DIODE			C1223	QCBB1HJ-101Y	C CAPACITOR	100pF 50V J	
D1222	MTZJ15C-T2	Z DIODE			C1224	QCBB1HJ-101Y	C CAPACITOR	100pF 50V J	
D1229	1SS119-041-T2	DIODE			C1241	QFLC1HJ-473Z	M CAPACITOR	0.047uF 50V J	
D1230	1SS119-041-T2	DIODE			C1242	QFLC1HJ-473Z	M CAPACITOR	0.047uF 50V J	
D1261	1SS119-041-T2	DIODE			C1243	QFLC1HJ-473Z	M CAPACITOR	0.047uF 50V J	
D1352	1SS119-041-T2	DIODE			C1244	QFLC1HJ-473Z	M CAPACITOR	0.047uF 50V J	
D1353	1SS119-041-T2	DIODE			C1261	QFLC1HJ-471Z	M CAPACITOR	470pF 50V J	
D1354	1SS119-041-T2	DIODE			C1262	QENC1HM-475Z	BP E CAPACITOR	4.7uF 50V M	
C419	QCBB1HK-223Y	C CAPACITOR	0.022uF 50V K		C1263	QETN1AM-107Z	E CAPACITOR	100uF 10V M	
C420	QCBB1HK-223Y	C CAPACITOR	0.022uF 50V K		C1264	QCSB1HK-3R3Y	C CAPACITOR	3.3pF 50V K	
C421	QCBB1HK-331Y	C CAPACITOR	330pF 50V K		C1265	QCBB1HJ-101Y	C CAPACITOR	100pF 50V J	
C422	QCBB1HK-331Y	C CAPACITOR	330pF 50V K		C1266	QFLC1HJ-473Z	M CAPACITOR	0.047uF 50V J	
C423	QCBB1HK-331Y	C CAPACITOR	330pF 50V K		C1267	QFLC1HJ-473Z	M CAPACITOR	0.047uF 50V J	
C424	QCBB1HK-331Y	C CAPACITOR	330pF 50V K		C1268	QCBB1HK-223Y	C CAPACITOR	0.022uF 50V K	
C425	QCBB1HK-331Y	C CAPACITOR	330pF 50V K		C1359	QCS32HJ-221Z	C CAPACITOR	220pF 500V J	
C426	QCBB1HK-331Y	C CAPACITOR	330pF 50V K		C1360	QCS32HJ-221Z	C CAPACITOR	220pF 500V J	
C427	QCBB1HK-221Y	C CAPACITOR	220pF 50V K		C1361	QFLC1HJ-473Z	M CAPACITOR	0.047uF 50V J	
C428	QCBB1HK-221Y	C CAPACITOR	220pF 50V K		C1362	QFLC1HJ-473Z	M CAPACITOR	0.047uF 50V J	
C429	QCBB1HK-331Y	C CAPACITOR	330pF 50V K		C1363	QCS32HJ-221Z	C CAPACITOR	220pF 500V J	
C430	QCBB1HK-331Y	C CAPACITOR	330pF 50V K		C1364	QCS32HJ-221Z	C CAPACITOR	220pF 500V J	
C431	QCBB1HK-331Y	C CAPACITOR	330pF 50V K		C1365	QFLC1HJ-473Z	M CAPACITOR	0.047uF 50V J	
C432	QCBB1HK-331Y	C CAPACITOR	330pF 50V K		C1366	QCS32HJ-221Z	C CAPACITOR	220pF 500V J	
C433	QCBB1HK-221Y	C CAPACITOR	220pF 50V K		C1368	QCS32HJ-221Z	C CAPACITOR	220pF 500V J	
C434	QCBB1HK-221Y	C CAPACITOR	220pF 50V K		C1369	QFLC1HJ-473Z	M CAPACITOR	0.047uF 50V J	
C435	QCBB1HK-331Y	C CAPACITOR	330pF 50V K		C1370	QFLC1HJ-473Z	M CAPACITOR	0.047uF 50V J	
C436	QCBB1HK-331Y	C CAPACITOR	330pF 50V K		C1371	QCS32HJ-221Z	C CAPACITOR	220pF 500V J	
C440	QCBB1HK-221Y	C CAPACITOR	220pF 50V K		C1372	QCS32HJ-221Z	C CAPACITOR	220pF 500V J	
C441	QETN1EM-106Z	E CAPACITOR	10uF 25V M		C1373	QCS32HJ-221Z	C CAPACITOR	220pF 500V J	
C442	QETN1EM-106Z	E CAPACITOR	10uF 25V M		C1374	QCS32HJ-221Z	C CAPACITOR	220pF 500V J	
C443	QETN1EM-476Z	E CAPACITOR	47uF 25V M		C1375	QCS32HJ-221Z	C CAPACITOR	220pF 500V J	
C444	QETN1EM-476Z	E CAPACITOR	47uF 25V M		C1376	QCS32HJ-221Z	C CAPACITOR	220pF 500V J	
C445	QCBB1HK-223Y	C CAPACITOR	0.022uF 50V K		C1377	QCS32HJ-221Z	C CAPACITOR	220pF 500V J	
C446	QCBB1HK-223Y	C CAPACITOR	0.022uF 50V K		C1378	QCS32HJ-221Z	C CAPACITOR	220pF 500V J	
C451	QCBB1HK-331Y	C CAPACITOR	330pF 50V K		R421	QRE141J-471Y	C RESISTOR	470Ω 1/4W J	
C452	QCBB1HK-331Y	C CAPACITOR	330pF 50V K		R422	QRE141J-471Y	C RESISTOR	470Ω 1/4W J	
C460	QCZ0202-155Z	C CAPACITOR	1.5uF 25V Z		R423	QRE141J-471Y	C RESISTOR	470Ω 1/4W J	
C1101	QFLC1HJ-471Z	M CAPACITOR	470pF 50V J		R424	QRE141J-471Y	C RESISTOR	470Ω 1/4W J	
C1102	QFLC1HJ-471Z	M CAPACITOR	470pF 50V J		R425	QRE141J-471Y	C RESISTOR	470Ω 1/4W J	
C1103	QENC1HM-475Z	BP E CAPACITOR	4.7uF 50V M		R426	QRE141J-471Y	C RESISTOR	470Ω 1/4W J	
C1104	QENC1HM-475Z	BP E CAPACITOR	4.7uF 50V M		R429	QRE141J-471Y	C RESISTOR	470Ω 1/4W J	
C1105	QETN1AM-227Z	E CAPACITOR	220uF 10V M		R430	QRE141J-471Y	C RESISTOR	470Ω 1/4W J	
C1106	QETN1AM-227Z	E CAPACITOR	220uF 10V M		R431	QRE141J-471Y	C RESISTOR	470Ω 1/4W J	
C1107	QCSB1HK-3R3Y	C CAPACITOR	3.3pF 50V K		R432	QRE141J-471Y	C RESISTOR	470Ω 1/4W J	
C1108	QCSB1HK-3R3Y	C CAPACITOR	3.3pF 50V K		R435	QRE141J-471Y	C RESISTOR	470Ω 1/4W J	
C1111	QEZO679-688	E CAPACITOR	6800uF		R436	QRE141J-471Y	C RESISTOR	470Ω 1/4W J	
C1112	QEZO679-688	E CAPACITOR	6800uF		R440	QRE141J-102Y	C RESISTOR	1kΩ 1/4W J	
C1113	QEZO691-478	E CAPACITER	4700uF		R441	QRE141J-104Y	C RESISTOR	100kΩ 1/4W J	
C1114	QEZO691-478	E CAPACITER	4700uF		R442	QRE141J-104Y	C RESISTOR	100kΩ 1/4W J	
C1115	QFZ9076-104Z	MM CAPACITOR	0.1uF		R443	QRE141J-104Y	C RESISTOR	100kΩ 1/4W J	
C1116	QFZ9076-104Z	MM CAPACITOR	0.1uF		R444	QRE141J-104Y	C RESISTOR	100kΩ 1/4W J	
C1117	QFZ9076-104Z	MM CAPACITOR	0.1uF		R445	QRE141J-104Y	C RESISTOR	100kΩ 1/4W J	
C1118	QFZ9076-104Z	MM CAPACITOR	0.1uF		R446	QRE141J-104Y	C RESISTOR	100kΩ 1/4W J	
C1119	QFZ9076-104Z	MM CAPACITOR	0.1uF		△ R449	QRJ146J-271X	UNF C RESISTOR	270Ω 1/4W J	
C1120	QFZ9076-104Z	MM CAPACITOR	0.1uF		△ R450	QRJ146J-271X	UNF C RESISTOR	270Ω 1/4W J	
C1121	QETN2AM-107Z	E CAPACITOR	100uF 100V M		R451	QRE141J-471Y	C RESISTOR	470Ω 1/4W J	
C1122	QETN2AM-107Z	E CAPACITOR	100uF 100V M		R452	QRE141J-471Y	C RESISTOR	470Ω 1/4W J	
C1123	QCBB1HJ-101Y	C CAPACITOR	100pF 50V J		R1101	QRE141J-102Y	C RESISTOR	1kΩ 1/4W J	
C1124	QCBB1HJ-101Y	C CAPACITOR	100pF 50V J		R1102	QRE141J-102Y	C RESISTOR	1kΩ 1/4W J	
C1141	QFLC1HJ-473Z	M CAPACITOR	0.047uF 50V J		R1103	QRE141J-104Y	C RESISTOR	100kΩ 1/4W J	
C1142	QFLC1HJ-473Z	M CAPACITOR	0.047uF 50V J		R1104	QRE141J-104Y	C RESISTOR	100kΩ 1/4W J	
C1143	QFLC1HJ-473Z	M CAPACITOR	0.047uF 50V J		△ R1105	QRJ146J-751X	UNF C RESISTOR	750Ω 1/4W J	
C1144	QFLC1HJ-473Z	M CAPACITOR	0.047uF 50V J		△ R1106	QRJ146J-751X	UNF C RESISTOR	750Ω 1/4W J	
C1171	QEKC1EM-106Z	E CAPACITOR	10uF 25V M		R1107	QRE141J-104Y	C RESISTOR	100kΩ 1/4W J	
C1172	QEKC1CM-476Z	E CAPACITOR	47uF 16V M		R1108	QRE141J-104Y	C RESISTOR	100kΩ 1/4W J	
C1185	QETN2AM-106Z	E CAPACITOR	10uF 100V M		R1109	QRE141J-333Y	C RESISTOR	33kΩ 1/4W J	
C1191	QETN1HM-476Z	E CAPACITOR	47uF 50V M		△ R1121	QRJ146J-471X	UNF C RESISTOR	470Ω 1/4W J	
C1192	QCBB1HK-472Y	C CAPACITOR	4700pF 50V K		△ R1122	QRJ146J-471X	UNF C RESISTOR	470Ω 1/4W J	
C1201	QFLC1HJ-471Z	M CAPACITOR	470pF 50V J		△ R1123	QRL017J-152	OMF RESISTOR	1.5kΩ 1W J	
C1202	QFLC1HJ-471Z	M CAPACITOR	470pF 50V J		△ R1124	QRL017J-152	OMF RESISTOR	1.5kΩ 1W J	
C1203	QENC1HM-475Z	BP E CAPACITOR	4.7uF 50V M		△ R1125	QRZ0224-R22	EMIT RESISTOR	0.22Ω	
C1204	QENC1HM-475Z	BP E CAPACITOR	4.7uF 50V M		△ R1126	QRZ0224-R22	EMIT RESISTOR	0.22Ω	
C1205	QETN1AM-107Z	E CAPACITOR	100uF 10V M		R1127	QRE141J-102Y	C RESISTOR	1kΩ 1/4W J	
C1206	QETN1AM-107Z	E CAPACITOR	100uF 10V M		R1128	QRE141J-102Y	C RESISTOR	1kΩ 1/4W J	
C1207	QCSB1HK-3R3Y	C CAPACITOR	3.3pF 50V K		R1129	QRE141J-183Y	C RESISTOR	18kΩ 1/4W J	
C1208	QCSB1HK-3R3Y	C CAPACITOR	3.3pF 50V K		R1130	QRE141J-183Y	C RESISTOR	18kΩ 1/4W J	

△ Symbol No.	Part No.	Part Name	Description	Local
R1131	QRE141J-473Y	C RESISTOR	47kΩ 1/4W J	
R1132	QRE141J-473Y	C RESISTOR	47kΩ 1/4W J	
△ R1133	QRJ146J-101X	UNF C RESISTOR	100Ω 1/4W J	
△ R1134	QRJ146J-2R2X	UNF C RESISTOR	2.2Ω 1/4W J	
△ R1135	QRJ146J-2R2X	UNF C RESISTOR	2.2Ω 1/4W J	
△ R1136	QRJ146J-2R2X	UNF C RESISTOR	2.2Ω 1/4W J	
△ R1137	QRJ146J-2R2X	UNF C RESISTOR	2.2Ω 1/4W J	
R1141	QRJ146J-330X	UNF C RESISTOR	33Ω 1/4W J	
R1142	QRJ146J-330X	UNF C RESISTOR	33Ω 1/4W J	
△ R1143	QRL027J-100	OMF RESISTOR	10Ω 2W J	
△ R1144	QRL027J-100	OMF RESISTOR	10Ω 2W J	
R1171	QRE141J-104Y	C RESISTOR	100kΩ 1/4W J	
R1172	QRE141J-823Y	C RESISTOR	82kΩ 1/4W J	
R1173	QRE141J-104Y	C RESISTOR	100kΩ 1/4W J	
R1174	QRE141J-104Y	C RESISTOR	100kΩ 1/4W J	
R1175	QRE141J-104Y	C RESISTOR	100kΩ 1/4W J	
R1176	QRE141J-104Y	C RESISTOR	100kΩ 1/4W J	
R1177	QRE141J-104Y	C RESISTOR	100kΩ 1/4W J	
R1178	QRE141J-103Y	C RESISTOR	10kΩ 1/4W J	
R1179	QRE141J-103Y	C RESISTOR	10kΩ 1/4W J	
R1185	QRE141J-103Y	C RESISTOR	10kΩ 1/4W J	
R1186	QRE141J-104Y	C RESISTOR	100kΩ 1/4W J	
△ R1191	QRZ9005-680X	F RESISTOR	68Ω	
△ R1192	QRJ146J-562X	UNF C RESISTOR	5.6kΩ 1/4W J	
△ R1193	QRZ9005-100X	FUSI RESISTOR	10Ω	
△ R1194	QRK126J-332X	UNF C RESISTOR	3.3kΩ 1/2W J	
R1195	QRE141J-472Y	C RESISTOR	4.7kΩ 1/4W J	
R1196	QRE141J-473Y	C RESISTOR	47kΩ 1/4W J	
R1201	QRE141J-102Y	C RESISTOR	1kΩ 1/4W J	
R1202	QRE141J-102Y	C RESISTOR	1kΩ 1/4W J	
R1203	QRE141J-104Y	C RESISTOR	100kΩ 1/4W J	
R1204	QRE141J-104Y	C RESISTOR	100kΩ 1/4W J	
△ R1205	QRJ146J-751X	UNF C RESISTOR	750Ω 1/4W J	
△ R1206	QRJ146J-751X	UNF C RESISTOR	750Ω 1/4W J	
R1207	QRE141J-104Y	C RESISTOR	100kΩ 1/4W J	
R1208	QRE141J-104Y	C RESISTOR	100kΩ 1/4W J	
R1209	QRE141J-333Y	C RESISTOR	33kΩ 1/4W J	
R1210	QRE141J-101Y	C RESISTOR	100Ω 1/4W J	
△ R1221	QRJ146J-471X	UNF C RESISTOR	470Ω 1/4W J	
△ R1222	QRJ146J-471X	UNF C RESISTOR	470Ω 1/4W J	
△ R1223	QRL017J-152	OMF RESISTOR	1.5kΩ 1W J	
△ R1224	QRL017J-152	OMF RESISTOR	1.5kΩ 1W J	
△ R1225	QRZ0224-R22	EMIT RESISTOR	0.22Ω	
△ R1226	QRZ0224-R22	EMIT RESISTOR	0.22Ω	
R1227	QRE141J-102Y	C RESISTOR	1kΩ 1/4W J	
R1228	QRE141J-102Y	C RESISTOR	1kΩ 1/4W J	
R1229	QRE141J-183Y	C RESISTOR	18kΩ 1/4W J	
R1230	QRE141J-183Y	C RESISTOR	18kΩ 1/4W J	
R1231	QRE141J-473Y	C RESISTOR	47kΩ 1/4W J	
R1232	QRE141J-473Y	C RESISTOR	47kΩ 1/4W J	
△ R1233	QRJ146J-101X	UNF C RESISTOR	100Ω 1/4W J	
△ R1234	QRJ146J-2R2X	UNF C RESISTOR	2.2Ω 1/4W J	
△ R1235	QRJ146J-2R2X	UNF C RESISTOR	2.2Ω 1/4W J	
△ R1236	QRJ146J-2R2X	UNF C RESISTOR	2.2Ω 1/4W J	
△ R1237	QRJ146J-2R2X	UNF C RESISTOR	2.2Ω 1/4W J	
R1241	QRJ146J-330X	UNF C RESISTOR	33Ω 1/4W J	
R1242	QRJ146J-330X	UNF C RESISTOR	33Ω 1/4W J	
△ R1243	QRL027J-100	OMF RESISTOR	10Ω 2W J	
△ R1244	QRL027J-100	OMF RESISTOR	10Ω 2W J	
R1261	QRE141J-102Y	C RESISTOR	1kΩ 1/4W J	
R1262	QRE141J-623Y	C RESISTOR	62kΩ 1/4W J	
△ R1263	QRJ146J-301X	UNF C RESISTOR	300Ω 1/4W J	
R1264	QRE141J-623Y	C RESISTOR	62kΩ 1/4W J	
△ R1265	QRZ0224-R22	EMIT RESISTOR	0.22Ω	
R1266	QRE141J-102Y	C RESISTOR	1kΩ 1/4W J	
R1267	QRE141J-183Y	C RESISTOR	18kΩ 1/4W J	
R1268	QRE141J-473Y	C RESISTOR	47kΩ 1/4W J	
R1269	QRJ146J-330X	UNF C RESISTOR	33Ω 1/4W J	
△ R1270	QRL027J-100	OMF RESISTOR	10Ω 2W J	
△ R1352	QRJ146J-680X	UNF C RESISTOR	68Ω 1/4W J	
△ R1353	QRJ146J-680X	UNF C RESISTOR	68Ω 1/4W J	
△ R1354	QRJ146J-680X	UNF C RESISTOR	68Ω 1/4W J	
△ R1370	QRJ146J-3R9X	UNF C RESISTOR	3.9Ω 1/4W J	
△ R1371	QRJ146J-3R9X	UNF C RESISTOR	3.9Ω 1/4W J	
△ R1372	QRJ146J-3R9X	UNF C RESISTOR	3.9Ω 1/4W J	
△ R1373	QRJ146J-3R9X	UNF C RESISTOR	3.9Ω 1/4W J	
△ R1374	QRJ146J-3R9X	UNF C RESISTOR	3.9Ω 1/4W J	

△ Symbol No.	Part No.	Part Name	Description	Local
L1141	QQLZ005-R45	COIL	0.45uH	
L1142	QQLZ005-R45	COIL	0.45uH	
L1241	QQLZ005-R45	COIL	0.45uH	
L1242	QQLZ005-R45	COIL	0.45uH	
L1269	QQLZ005-R45	COIL	0.45uH	
L1351	QQLZ005-R45	COIL	0.45uH	
L1352	QQLZ005-R45	COIL	0.45uH	
L1353	QQLZ005-R45	COIL	0.45uH	
L1354	QQLZ005-R45	COIL	0.45uH	
L1355	QQLZ005-R45	COIL	0.45uH	
CN151	QJK012-051903	WIRE		
CN171	QJP001-031801	SHI CR C-B WIRE		
CN272	QJP002-021201	SHI CR C-B WIRE		
CN273	QJP001-031001	SHI CR C-B WIRE		
CN401	QGB2510K1-14	CONNECTOR	B-B (1-14)	
CN451	QGB2510K1-11	CONNECTOR	B-B (1-11)	
EP101	QNZ0136-001Z	EARTH PLATE		
FW141	QUM215-16DGZ4	WIRE		
FW301	QUM215-25Z4Z4	PARA RIBON WIRE		
FW302	QUM216-25Z4Z4	PARA RIBON WIRE		
FW303	QUM214-26DGZ4	PARA RIBON WIRE		
J402	QNN0478-001	SURROUND JACK		
J403	QNN0478-001	SURROUND JACK		
J404	QNN0389-001	PIN JACK		
J406	QNN0060-001	PIN JACK		
RY302	QSK0109-001	RELAY		
RY303	QSK0109-001	RELAY		
RY304	QSK0109-001	RELAY		
ST301	QNB0188-001	SPEAKER TERMINA		

Front board

Block No. [0][3]

△ Symbol No.	Part No.	Part Name	Description	Local
PW501	QUB220-18DMHP	SIN TWIST WIRE		
PW502	QUB220-12DMHP	SIN TWIST WIRE		
IC422	NJM4565M-WE	IC		
IC423	TC9162AF-X	IC		
IC427	NJM4565M-WE	IC		
IC428	BD3814FV-X	IC		
IC431	BU1924F-X	IC		
IC701	MN101C35DMW	IC(1-TIME)		
IC702	IC-PST9139-T	IC		
IC703	GP1UM281XKVF	IR DETECT UNIT		
Q701	UN2214-X	TRANSISTOR		
Q707	UN2214-X	TRANSISTOR		
Q708	UN2214-X	TRANSISTOR		
Q709	UN2214-X	TRANSISTOR		
Q711	UN2113-X	DIGI TRANSISTOR		
△ Q1401	KTA1046/Y/	TRANSISTOR		
△ Q1402	2SD2394/EF/	TRANSISTOR		
△ Q1403	2SD2394/EF/	TRANSISTOR		
△ Q1404	2SD2394/EF/	TRANSISTOR		
△ Q1405	2SD2394/EF/	TRANSISTOR		
△ Q1406	KTC3203/OY/-T	TRANSISTOR		
△ Q1407	KTC3203/OY/-T	TRANSISTOR		
△ Q1408	KTA1271/OY/-T	TRANSISTOR		
Q1413	2SC3576-JVC-T	TRANSISTOR		
Q1414	2SC3576-JVC-T	TRANSISTOR		
Q1417	2SC3576-JVC-T	TRANSISTOR		
Q1418	2SC3576-JVC-T	TRANSISTOR		
Q1419	2SC3576-JVC-T	TRANSISTOR		
Q1420	KRA104M-T	DIGI TRANSISTOR		
Q1421	2SC3576-JVC-T	TRANSISTOR		
Q1422	2SC3576-JVC-T	TRANSISTOR		
Q1423	KRA104M-T	DIGI TRANSISTOR		
Q1424	KRA104M-T	DIGI TRANSISTOR		
Q1425	2SC3576-JVC-T	TRANSISTOR		
Q1426	2SC3576-JVC-T	TRANSISTOR		
Q1427	2SC3576-JVC-T	TRANSISTOR		

△ Symbol No.	Part No.	Part Name	Description	Local	△ Symbol No.	Part No.	Part Name	Description	Local
Q1428	2SC3576-JVC-T	TRANSISTOR			C1459	QETN1HM-475Z	E CAPACITOR	4.7uF 50V M	
Q1429	KRA104M-T	DIGI TRANSISTOR			C1460	NCB31CK-223X	C CAPACITOR	0.022uF 16V K	
△ Q1434	2SD2394/EF/	TRANSISTOR			C1461	NCB31CK-223X	C CAPACITOR	0.022uF 16V K	
△ Q1435	2SD2394/EF/	TRANSISTOR			C1463	QETN1HM-475Z	E CAPACITOR	4.7uF 50V M	
D701	1N4448WS-X	SI DIODE			C1464	QETN1HM-475Z	E CAPACITOR	4.7uF 50V M	
D703	BAS40-X	SB DIODE			C1465	QENC1HM-106Z	BP E CAPACITOR	10uF 50V M	
D719	SLR-343VC/NPQ-T	LED			C1470	NDC31HJ-820X	C CAPACITOR	82pF 50V J	
D1401	MTZJ13C-T2	Z DIODE			C1471	NDC31HJ-470X	C CAPACITOR	47pF 50V J	
D1402	MTZJ6.2C-T2	Z DIODE			C1472	QETN1CM-106Z	E CAPACITOR	10uF 16V M	
D1403	MTZJ5.6B-T2	Z DIODE			C1473	NCB31EK-473X	C CAPACITOR	0.047uF 25V K	
D1404	MTZJ5.6C-T2	Z DIODE			C1474	NCB31HK-561X	C CAPACITOR	560pF 50V K	
D1405	MTZJ13C-T2	Z DIODE			C1475	NCB31HK-331X	C CAPACITOR	330pF 50V K	
D1406	MTZJ10C-T2	Z DIODE			C1476	QETN1HM-225Z	E CAPACITOR	2.2uF 50V M	
D1407	MTZJ7.5C-T2	Z DIODE			C1477	NCB31HK-102X	C CAPACITOR	1000pF 50V K	
D1408	MTZJ7.5C-T2	Z DIODE			C1480	QETN1VM-477Z	E CAPACITOR	470uF 35V M	
D1409	MA152WK-X	SI DIODE			R101	QRL027J-471	OMF RESISTOR	470Ω 2W J	
D1411	1N4448WS-X	SI DIODE			R102	QRL027J-471	OMF RESISTOR	470Ω 2W J	
D1412	1N4448WS-X	SI DIODE			R475	NRSA63J-163X	MG RESISTOR	16kΩ 1/16W J	
D1413	1N4448WS-X	SI DIODE			R476	NRSA63J-103X	MG RESISTOR	10kΩ 1/16W J	
D1414	1N4448WS-X	SI DIODE			△ R477	QRZ9006-4R7X	F.RESISTOR	4.7Ω 1/4W J	
D1415	1N4448WS-X	SI DIODE			△ R478	QRJ146J-2R2X	UNF C RESISTOR	2.2Ω 1/4W J	
C101	QDGB1HK-102Y	C CAPACITOR	1000pF 50V K		△ R479	QRJ146J-2R2X	UNF C RESISTOR	2.2Ω 1/4W J	
C102	QDGB1HK-102Y	C CAPACITOR	1000pF 50V K		R481	NRSA63J-104X	MG RESISTOR	100kΩ 1/16W J	
C701	QEKC0JM-107Z	E CAPACITOR	100uF 6.3V M		R482	NRSA63J-104X	MG RESISTOR	100kΩ 1/16W J	
C702	QCZ0202-155Z	C CAPACITOR	1.5uF 25V Z		R483	NRSA63J-562X	MG RESISTOR	5.6kΩ 1/16W J	
C703	QEKC1HM-225Z	E CAPACITOR	2.2uF 50V M		R484	NRSA63J-473X	MG RESISTOR	47kΩ 1/16W J	
C704	NCB31CK-223X	C CAPACITOR	0.022uF 16V K		R485	NRSA63J-202X	MG RESISTOR	2kΩ 1/16W J	
C705	QEKC0JM-107Z	E CAPACITOR	100uF 6.3V M		R486	NRSA63J-473X	MG RESISTOR	47kΩ 1/16W J	
C706	NCB21HK-331X	C CAPACITOR	330pF 50V K		R487	NRSA63J-202X	MG RESISTOR	2kΩ 1/16W J	
C707	QEKC1HM-475Z	E CAPACITOR	4.7uF 50V M		R488	NRSA63J-473X	MG RESISTOR	47kΩ 1/16W J	
C708	QEKC1HM-475Z	E CAPACITOR	4.7uF 50V M		R489	NRSA63J-101X	MG RESISTOR	100Ω 1/16W J	
C709	QEKC1HM-475Z	E CAPACITOR	4.7uF 50V M		R490	NRSA63J-101X	MG RESISTOR	100Ω 1/16W J	
C710	NCB21HK-104X	C CAPACITOR	0.1uF 50V K		R701	NRSA63J-472X	MG RESISTOR	4.7kΩ 1/16W J	
C713	NCB21HK-103X	C CAPACITOR	0.01uF 50V K		R702	NRSA63J-223X	MG RESISTOR	22kΩ 1/16W J	
C714	NCB21HK-103X	C CAPACITOR	0.01uF 50V K		R707	NRSA63J-103X	MG RESISTOR	10kΩ 1/16W J	
C715	NCB21HK-103X	C CAPACITOR	0.01uF 50V K		R708	NRSA63J-103X	MG RESISTOR	10kΩ 1/16W J	
C716	NCB21HK-103X	C CAPACITOR	0.01uF 50V K		R709	NRSA63J-103X	MG RESISTOR	10kΩ 1/16W J	
C717	NCB21HK-103X	C CAPACITOR	0.01uF 50V K		R710	NRSA63J-103X	MG RESISTOR	10kΩ 1/16W J	
C718	NCB21HK-103X	C CAPACITOR	0.01uF 50V K		R711	NRSA63J-104X	MG RESISTOR	100kΩ 1/16W J	
C719	NCB21HK-103X	C CAPACITOR	0.01uF 50V K		R712	NRSA63J-103X	MG RESISTOR	10kΩ 1/16W J	
C720	NCB31CK-104X	C CAPACITOR	0.1uF 16V K		R713	NRSA63J-103X	MG RESISTOR	10kΩ 1/16W J	
C721	NCB31CK-104X	C CAPACITOR	0.1uF 16V K		R715	NRSA63J-103X	MG RESISTOR	10kΩ 1/16W J	
C722	QCZ0202-155Z	C CAPACITOR	1.5uF 25V Z		R716	NRSA63J-103X	MG RESISTOR	10kΩ 1/16W J	
C723	NCB31CK-104X	C CAPACITOR	0.1uF 16V K		R717	NRSA63J-103X	MG RESISTOR	10kΩ 1/16W J	
C724	NCB31CK-104X	C CAPACITOR	0.1uF 16V K		R718	NRSA63J-103X	MG RESISTOR	10kΩ 1/16W J	
C725	QEKC1HM-475Z	E CAPACITOR	4.7uF 50V M		R719	NRSA63J-221X	MG RESISTOR	220Ω 1/16W J	
C730	NCB31CK-104X	C CAPACITOR	0.1uF 16V K		R720	NRSA63J-222X	MG RESISTOR	2.2kΩ 1/16W J	
C731	NCB21HK-104X	C CAPACITOR	0.1uF 50V K		R721	NRSA63J-103X	MG RESISTOR	10kΩ 1/16W J	
C1401	QETN1HM-476Z	E CAPACITOR	47uF 50V M		R722	NRSA63J-102X	MG RESISTOR	1kΩ 1/16W J	
C1402	QETN1EM-107Z	E CAPACITOR	100uF 25V M		R723	NRSA63J-102X	MG RESISTOR	1kΩ 1/16W J	
C1403	QETN1EM-107Z	E CAPACITOR	100uF 25V M		R724	NRSA63J-122X	MG RESISTOR	1.2kΩ 1/16W J	
C1404	QETN1EM-107Z	E CAPACITOR	100uF 25V M		R725	NRSA63J-152X	MG RESISTOR	1.5kΩ 1/16W J	
C1405	QETN1EM-107Z	E CAPACITOR	100uF 25V M		R726	NRSA63J-222X	MG RESISTOR	2.2kΩ 1/16W J	
C1406	QETN1EM-107Z	E CAPACITOR	100uF 25V M		R727	NRSA63J-272X	MG RESISTOR	2.7kΩ 1/16W J	
C1407	QDVB1EZ-223Y	C CAPACITOR	0.022uF 25V Z		R728	NRSA63J-103X	MG RESISTOR	10kΩ 1/16W J	
C1408	QETN1EM-476Z	E CAPACITOR	47uF 25V M		R729	NRSA63J-102X	MG RESISTOR	1kΩ 1/16W J	
C1409	QETN1EM-476Z	E CAPACITOR	47uF 25V M		R730	NRSA63J-102X	MG RESISTOR	1kΩ 1/16W J	
C1413	QETN1HM-475Z	E CAPACITOR	4.7uF 50V M		R731	NRSA63J-122X	MG RESISTOR	1.2kΩ 1/16W J	
C1414	QETN1HM-475Z	E CAPACITOR	4.7uF 50V M		R732	NRSA63J-152X	MG RESISTOR	1.5kΩ 1/16W J	
C1416	QETN1EM-476Z	E CAPACITOR	47uF 25V M		R733	NRSA63J-222X	MG RESISTOR	2.2kΩ 1/16W J	
C1417	QETN1EM-476Z	E CAPACITOR	47uF 25V M		R734	NRSA63J-272X	MG RESISTOR	2.7kΩ 1/16W J	
C1422	QETN1HM-475Z	E CAPACITOR	4.7uF 50V M		R736	NRSA63J-103X	MG RESISTOR	10kΩ 1/16W J	
C1423	QEKC1HM-475Z	E CAPACITOR	4.7uF 50V M		R737	NRSA63J-102X	MG RESISTOR	1kΩ 1/16W J	
C1424	QEKC1HM-475Z	E CAPACITOR	4.7uF 50V M		R738	NRSA63J-102X	MG RESISTOR	1kΩ 1/16W J	
C1425	QEKC1CM-106Z	E CAPACITOR	10uF 16V M		R739	NRSA63J-122X	MG RESISTOR	1.2kΩ 1/16W J	
C1432	NCB31CK-223X	C CAPACITOR	0.022uF 16V K		R740	NRSA63J-152X	MG RESISTOR	1.5kΩ 1/16W J	
C1433	QETN1CM-106Z	E CAPACITOR	10uF 16V M		R741	NRSA63J-222X	MG RESISTOR	2.2kΩ 1/16W J	
C1436	NCB31CK-223X	C CAPACITOR	0.022uF 16V K		R743	NRSA63J-103X	MG RESISTOR	10kΩ 1/16W J	
C1437	QCZ0202-155Z	C CAPACITOR	1.5uF 25V Z		R744	NRSA63J-102X	MG RESISTOR	1kΩ 1/16W J	
C1439	QFLC1HJ-562Z	M CAPACITOR	5600pF 50V J		R745	NRSA63J-102X	MG RESISTOR	1kΩ 1/16W J	
C1440	QFLC1HJ-562Z	M CAPACITOR	5600pF 50V J		R746	NRSA63J-122X	MG RESISTOR	1.2kΩ 1/16W J	
C1444	NCB31CK-223X	C CAPACITOR	0.022uF 16V K		R747	NRSA63J-152X	MG RESISTOR	1.5kΩ 1/16W J	
C1445	NCB31CK-223X	C CAPACITOR	0.022uF 16V K		R748	NRSA63J-222X	MG RESISTOR	2.2kΩ 1/16W J	
C1446	NCB31HK-221X	C CAPACITOR	220pF 50V K		R749	NRSA63J-272X	MG RESISTOR	2.7kΩ 1/16W J	
C1447	QEKC1HM-475Z	E CAPACITOR	4.7uF 50V M		R750	NRSA63J-103X	MG RESISTOR	10kΩ 1/16W J	
C1453	QETN1HM-475Z	E CAPACITOR	4.7uF 50V M		R751	NRSA63J-102X	MG RESISTOR	1kΩ 1/16W J	
					R752	NRSA63J-102X	MG RESISTOR	1kΩ 1/16W J	

△ Symbol No.	Part No.	Part Name	Description	Local	△ Symbol No.	Part No.	Part Name	Description	Local
R753	NRSA63J-122X	MG RESISTOR	1.2kΩ 1/16W J		R1448	NRSA63J-103X	MG RESISTOR	10kΩ 1/16W J	
R754	NRSA63J-152X	MG RESISTOR	1.5kΩ 1/16W J		R1449	NRSA63J-102X	MG RESISTOR	1kΩ 1/16W J	
R757	NRSA63J-103X	MG RESISTOR	10kΩ 1/16W J		R1450	NRSA63J-103X	MG RESISTOR	10kΩ 1/16W J	
R758	NRSA63J-103X	MG RESISTOR	10kΩ 1/16W J		R1451	NRSA63J-104X	MG RESISTOR	100kΩ 1/16W J	
R759	NRSA63J-103X	MG RESISTOR	10kΩ 1/16W J		R1452	NRSA63J-104X	MG RESISTOR	100kΩ 1/16W J	
R760	NRSA63J-103X	MG RESISTOR	10kΩ 1/16W J		R1453	NRSA63J-102X	MG RESISTOR	1kΩ 1/16W J	
R761	NRSA63J-103X	MG RESISTOR	10kΩ 1/16W J		R1457	NRSA63J-682X	MG RESISTOR	6.8kΩ 1/16W J	
R762	NRSA63J-102X	MG RESISTOR	1kΩ 1/16W J		R1458	NRSA63J-682X	MG RESISTOR	6.8kΩ 1/16W J	
R763	NRSA63J-102X	MG RESISTOR	1kΩ 1/16W J		△ R1459	QRZ9005-680X	F RESISTOR	68Ω	
R768	NRSA63J-103X	MG RESISTOR	10kΩ 1/16W J		△ R1460	QRZ9005-680X	F RESISTOR	68Ω	
R769	NRSA63J-102X	MG RESISTOR	1kΩ 1/16W J		△ R1461	QRJ146J-2R2X	UNF C RESISTOR	2.2Ω 1/4W J	
R770	NRSA63J-102X	MG RESISTOR	1kΩ 1/16W J		△ R1462	QRJ146J-2R2X	UNF C RESISTOR	2.2Ω 1/4W J	
R772	NRSA63J-222X	MG RESISTOR	2.2kΩ 1/16W J		R1464	NRSA63J-104X	MG RESISTOR	100kΩ 1/16W J	
R773	NRSA63J-272X	MG RESISTOR	2.7kΩ 1/16W J		R1465	NRSA63J-102X	MG RESISTOR	1kΩ 1/16W J	
R775	NRSA63J-103X	MG RESISTOR	10kΩ 1/16W J		R1470	NRSA63J-201X	MG RESISTOR	200Ω 1/16W J	
R778	NRSA63J-392X	MG RESISTOR	3.9kΩ 1/16W J		R1471	NRSA63J-201X	MG RESISTOR	200Ω 1/16W J	
R779	NRSA63J-103X	MG RESISTOR	10kΩ 1/16W J		R1472	NRSA63J-103X	MG RESISTOR	10kΩ 1/16W J	
R781	NRSA63J-221X	MG RESISTOR	220Ω 1/16W J		R1473	NRSA63J-103X	MG RESISTOR	10kΩ 1/16W J	
R782	NRSA63J-221X	MG RESISTOR	220Ω 1/16W J		R1474	NRSA63J-102X	MG RESISTOR	1kΩ 1/16W J	
R783	NRSA63J-221X	MG RESISTOR	220Ω 1/16W J		R1475	NRSA63J-222X	MG RESISTOR	2.2kΩ 1/16W J	
R784	NRSA63J-221X	MG RESISTOR	220Ω 1/16W J		R1477	NRSA63J-102X	MG RESISTOR	1kΩ 1/16W J	
R785	NRSA63J-221X	MG RESISTOR	220Ω 1/16W J		R1478	NRSA63J-102X	MG RESISTOR	1kΩ 1/16W J	
R786	NRSA63J-221X	MG RESISTOR	220Ω 1/16W J		R1480	NRSA63J-104X	MG RESISTOR	100kΩ 1/16W J	
R787	NRSA63J-221X	MG RESISTOR	220Ω 1/16W J		R1485	NRSA63J-102X	MG RESISTOR	1kΩ 1/16W J	
R788	NRSA63J-221X	MG RESISTOR	220Ω 1/16W J		R1486	NRSA63J-102X	MG RESISTOR	1kΩ 1/16W J	
R790	NRSA63J-221X	MG RESISTOR	220Ω 1/16W J		R1487	NRSA63J-103X	MG RESISTOR	10kΩ 1/16W J	
R791	NRSA63J-221X	MG RESISTOR	220Ω 1/16W J		R1488	NRSA63J-103X	MG RESISTOR	10kΩ 1/16W J	
R792	NRSA63J-221X	MG RESISTOR	220Ω 1/16W J		R1490	NRSA63J-133X	MG RESISTOR	13kΩ 1/16W J	
R794	NRSA63J-221X	MG RESISTOR	220Ω 1/16W J		R1492	NRSA63J-102X	MG RESISTOR	1kΩ 1/16W J	
R795	NRSA63J-221X	MG RESISTOR	220Ω 1/16W J		R1493	NRSA63J-102X	MG RESISTOR	1kΩ 1/16W J	
R796	NRSA63J-221X	MG RESISTOR	220Ω 1/16W J		R1494	NRSA63J-102X	MG RESISTOR	1kΩ 1/16W J	
R797	NRSA63J-221X	MG RESISTOR	220Ω 1/16W J		R1495	NRSA63J-103X	MG RESISTOR	10kΩ 1/16W J	
R798	NRSA63J-221X	MG RESISTOR	220Ω 1/16W J		R1496	NRSA63J-103X	MG RESISTOR	10kΩ 1/16W J	
R799	NRSA63J-221X	MG RESISTOR	220Ω 1/16W J		R1498	NRSA63J-511X	MG RESISTOR	510Ω 1/16W J	
R874	NRSA63J-103X	MG RESISTOR	10kΩ 1/16W J		R1499	NRSA63J-511X	MG RESISTOR	510Ω 1/16W J	
R875	NRSA63J-103X	MG RESISTOR	10kΩ 1/16W J		R1500	NRSA63J-474X	MG RESISTOR	470kΩ 1/16W J	
R876	NRSA63J-103X	MG RESISTOR	10kΩ 1/16W J		R1571	NRSA63J-0R0X	MG RESISTOR	0Ω 1/16W J	
R877	NRSA63J-103X	MG RESISTOR	10kΩ 1/16W J		R1572	NRSA63J-0R0X	MG RESISTOR	0Ω 1/16W J	
R878	NRSA63J-103X	MG RESISTOR	10kΩ 1/16W J		R1573	NRSA63J-102X	MG RESISTOR	1kΩ 1/16W J	
R879	NRSA63J-221X	MG RESISTOR	220Ω 1/16W J		R1574	NRSA63J-102X	MG RESISTOR	1kΩ 1/16W J	
R880	NRSA63J-221X	MG RESISTOR	220Ω 1/16W J		R1575	NRSA63J-0R0X	MG RESISTOR	0Ω 1/16W J	
R881	NRSA63J-221X	MG RESISTOR	220Ω 1/16W J		R1576	NRSA63J-0R0X	MG RESISTOR	0Ω 1/16W J	
R882	NRSA63J-221X	MG RESISTOR	220Ω 1/16W J		R1579	NRSA63J-301X	MG RESISTOR	300Ω 1/16W J	
R883	NRSA63J-221X	MG RESISTOR	220Ω 1/16W J		R1580	NRSA63J-0R0X	MG RESISTOR	0Ω 1/16W J	
R884	NRSA63J-221X	MG RESISTOR	220Ω 1/16W J		R1581	NRSA63J-332X	MG RESISTOR	3.3kΩ 1/16W J	
△ R1401	QRZ9005-100X	FUSI RESISTOR	10Ω		R1582	NRSA63J-162X	MG RESISTOR	1.6kΩ 1/16W J	
△ R1402	QRJ146J-182X	UNF C RESISTOR	1.8kΩ 1/4W J		R1583	NRSA63J-561X	MG RESISTOR	560Ω 1/16W J	
△ R1403	QRZ9005-120X	FUSI RESISTOR	12Ω		R1584	NRSA63J-561X	MG RESISTOR	560Ω 1/16W J	
△ R1404	QRJ146J-272X	UNF C RESISTOR	2.7kΩ 1/4W J						
△ R1405	QRZ9005-120X	FUSI RESISTOR	12Ω		BK701	LV42093-001A	FL HOLDER(L)	BK 401	
△ R1406	QRK126J-682X	UNF C RESISTOR	6.8kΩ 1/2W J		BK702	LV42092-001A	FL HOLDER(R)	BK 400	
△ R1407	QRZ9006-4R7X	F.RESISTOR	4.7Ω 1/4W J		CN101	QGD2504C1-03Z	CONNECTOR	(1-3)	
△ R1408	QRZ9006-4R7X	F.RESISTOR	4.7Ω 1/4W J		CN402	QGF1205C1-27	CONNECTOR	FFC/FPC (1-27)	
△ R1409	QRJ146J-272X	UNF C RESISTOR	2.7kΩ 1/4W J		CN403	QGA2001C1-02	CONNECTOR	W-B (1-2)	
△ R1410	QRZ9006-4R7X	F.RESISTOR	4.7Ω 1/4W J		CN411	QGF1205C1-11	CONNECTOR	FFC/FPC (1-11)	
△ R1411	QRJ146J-182X	UNF C RESISTOR	1.8kΩ 1/4W J		CN421	QGB2510J1-14	CONNECTOR	B-B (1-14)	
△ R1412	QRZ9005-100X	FUSI RESISTOR	10Ω		CN431	QGB2510J1-11	CONNECTOR	B-B (1-11)	
△ R1413	QRJ146J-102X	UNF C RESISTOR	1kΩ 1/4W J		CN441	QGB2510J1-07	CONNECTOR	B-B (1-7)	
△ R1414	QRZ9005-100X	FUSI RESISTOR	10Ω		CN471	QGA2501C1-03	CONNECTOR	W-B (1-3)	
△ R1415	QRJ146J-222X	UNF C RESISTOR	2.2kΩ 1/4W J		CN472	QGA2501C1-02	CONNECTOR	W-B (1-2)	
△ R1416	QRZ9005-100X	FUSI RESISTOR	10Ω		CN473	QGA2501C1-03	CONNECTOR	W-B (1-3)	
△ R1417	QRJ146J-222X	UNF C RESISTOR	2.2kΩ 1/4W J		CN481	QGB2510J1-14	CONNECTOR	B-B (1-14)	
△ R1418	QRZ9005-680X	F RESISTOR	68Ω		CN482	QGB2510J1-07	CONNECTOR	B-B (1-7)	
△ R1419	QRZ9005-680X	F RESISTOR	68Ω		CN491	QGB2510J1-04	CONNECTOR	B-B (1-4)	
R1423	NRSA63J-103X	MG RESISTOR	10kΩ 1/16W J		CN701	QGF1205F1-14	CONNECTOR	FFC/FPC (1-14)	
R1424	NRSA63J-103X	MG RESISTOR	10kΩ 1/16W J		CN702	QGF1205F1-27	CONNECTOR	FFC/FPC (1-27)	
R1425	NRSA63J-103X	MG RESISTOR	10kΩ 1/16W J		CN703	QJK021-024004	SIN CR C-B WIRE		
R1426	NRSA63J-103X	MG RESISTOR	10kΩ 1/16W J		CN704	WJS0020-002A	SKT.WIRE ASSY		
R1435	NRSA63J-104X	MG RESISTOR	100kΩ 1/16W J		CN714	QGA2001F1-03	CONNECTOR	W-B (1-3)	
R1436	NRSA63J-104X	MG RESISTOR	100kΩ 1/16W J		DI701	QLF0132-001	FL TUBE		
R1437	NRSA63J-102X	MG RESISTOR	1kΩ 1/16W J		EP401	QNZ0136-001Z	EARTH PLATE		
R1438	NRSA63J-102X	MG RESISTOR	1kΩ 1/16W J		FL401	QQR1372-001	LPF		
R1439	NRSA63J-103X	MG RESISTOR	10kΩ 1/16W J		FL402	QQR1372-001	LPF		
R1440	NRSA63J-103X	MG RESISTOR	10kΩ 1/16W J		HS401	E70306-001	HEAT SINK	HS 951	
R1444	NRSA63J-103X	MG RESISTOR	10kΩ 1/16W J		HS402	E70306-001	HEAT SINK	HS 951	
R1445	NRSA63J-102X	MG RESISTOR	1kΩ 1/16W J		HS403	E70306-001	HEAT SINK	HS 951	
R1446	NRSA63J-104X	MG RESISTOR	100kΩ 1/16W J		HS404	E70306-001	HEAT SINK	HS 951	
R1447	NRSA63J-102X	MG RESISTOR	1kΩ 1/16W J		HS405	E70306-001	HEAT SINK	HS 951	

△ Symbol No.	Part No.	Part Name	Description	Local	△ Symbol No.	Part No.	Part Name	Description	Local
HS434	E70306-001	HEAT SINK	HS 951		Q2705	UN2114-X	TRANSISTOR		
HS435	E70306-001	HEAT SINK	HS 951		Q2706	UN2114-X	TRANSISTOR		
J101	QNS0249-001	JACK			Q2708	UN2114-X	TRANSISTOR		
JS701	QSW1017-002	JOG VOLUME			Q2709	UN2114-X	TRANSISTOR		
JS702	QSW1051-001	ROTARY ENCODER			Q2710	UN2214-X	TRANSISTOR		
S721	QSW0683-001Z	PUSH SW			C2001	QETN1EM-475Z	E CAPACITOR	4.7uF 25V M	
S722	QSW0683-001Z	PUSH SW			C2002	QETN1EM-475Z	E CAPACITOR	4.7uF 25V M	
S723	QSW0683-001Z	PUSH SW			C2005	NDC31HJ-330X	C CAPACITOR	33pF 50V J	
S724	QSW0683-001Z	PUSH SW			C2006	NDC31HJ-330X	C CAPACITOR	33pF 50V J	
S725	QSW0683-001Z	PUSH SW			C2009	NCF31CZ-104X	C CAPACITOR	0.1uF 16V Z	
S726	QSW0683-001Z	PUSH SW			C2010	NCF31CZ-104X	C CAPACITOR	0.1uF 16V Z	
S727	QSW0683-001Z	PUSH SW			C2013	NDC31HJ-330X	C CAPACITOR	33pF 50V J	
S728	QSW0683-001Z	PUSH SW			C2014	NDC31HJ-330X	C CAPACITOR	33pF 50V J	
S729	QSW0683-001Z	PUSH SW			C2018	QETN1AM-476Z	E CAPACITOR	47uF 10V M	
S730	QSW0683-001Z	PUSH SW			C2019	NCF31CZ-104X	C CAPACITOR	0.1uF 16V Z	
S731	QSW0683-001Z	PUSH SW			C2020	NCF31CZ-104X	C CAPACITOR	0.1uF 16V Z	
S732	QSW0683-001Z	PUSH SW			C2101	NCB31HK-332X	C CAPACITOR	3300pF 50V K	
S734	QSW0683-001Z	PUSH SW			C2102	NCB31HK-332X	C CAPACITOR	3300pF 50V K	
S735	QSW0683-001Z	PUSH SW			C2109	QETN1HM-226Z	E CAPACITOR	22uF 50V M	
S737	QSW0683-001Z	PUSH SW			C2110	QETN1HM-226Z	E CAPACITOR	22uF 50V M	
S740	QSW0683-001Z	PUSH SW			C2111	NCF31CZ-104X	C CAPACITOR	0.1uF 16V Z	
S741	QSW0683-001Z	PUSH SW			C2112	NCF31CZ-104X	C CAPACITOR	0.1uF 16V Z	
S742	QSW0683-001Z	PUSH SW			C2113	NCB31HK-102X	C CAPACITOR	1000pF 50V K	
S743	QSW0683-001Z	PUSH SW			C2114	NCB31HK-102X	C CAPACITOR	1000pF 50V K	
S745	QSW0683-001Z	PUSH SW			C2115	NCB31HK-822X	C CAPACITOR	8200pF 50V K	
S746	QSW0683-001Z	PUSH SW			C2116	NCB31HK-822X	C CAPACITOR	8200pF 50V K	
S750	QSW0683-001Z	PUSH SW			C2129	QETN1HM-475Z	E CAPACITOR	4.7uF 50V M	
S751	QSW0683-001Z	PUSH SW			C2131	NCF31CZ-104X	C CAPACITOR	0.1uF 16V Z	
S752	QSW0683-001Z	PUSH SW			C2132	NCF31CZ-104X	C CAPACITOR	0.1uF 16V Z	
S756	QSW0683-001Z	PUSH SW			C2133	NDC31HJ-330X	C CAPACITOR	33pF 50V J	
X701	QAX0246-001Z	C RESONATOR	8.00MHz		C2134	NDC31HJ-330X	C CAPACITOR	33pF 50V J	
X1401	QAX0263-001Z	CRYSTAL	4.332MHz		C2139	QETN1EM-475Z	E CAPACITOR	4.7uF 25V M	

DSP board

Block No. [0][4]

△ Symbol No.	Part No.	Part Name	Description	Local	△ Symbol No.	Part No.	Part Name	Description	Local
IC601	NJM4565M-WE	IC			C2140	QETN1EM-475Z	E CAPACITOR	4.7uF 25V M	
IC602	NJM4565M-WE	IC			C2141	NCF31CZ-104X	C CAPACITOR	0.1uF 16V Z	
IC611	NJM4565M-WE	IC			C2142	NCF31CZ-104X	C CAPACITOR	0.1uF 16V Z	
IC612	NJM4565M-WE	IC			C2143	NDC31HJ-330X	C CAPACITOR	33pF 50V J	
IC613	NJM4565M-WE	IC			C2144	NDC31HJ-330X	C CAPACITOR	33pF 50V J	
IC615	NJM4565M-WE	IC			C2149	QETN1EM-475Z	E CAPACITOR	4.7uF 25V M	
IC621	NJM4565M-WE	IC			C2150	QETN1EM-475Z	E CAPACITOR	4.7uF 25V M	
IC622	NJM4565M-WE	IC			C2181	NCF31CZ-104X	C CAPACITOR	0.1uF 16V Z	
IC631	NJM2120M-X	IC			C2182	NCF31CZ-104X	C CAPACITOR	0.1uF 16V Z	
IC632	NJM4565M-WE	IC			C2183	NCB31HK-681X	C CAPACITOR	680pF 50V K	
IC633	NJM4565M-WE	IC			C2184	NCB31HK-681X	C CAPACITOR	680pF 50V K	
IC634	NJM4565M-WE	IC			C2185	NCB31HK-681X	C CAPACITOR	680pF 50V K	
IC661	DSPA56370AF	IC			C2186	NCB31HK-681X	C CAPACITOR	680pF 50V K	
IC662	SN74LVC1GU04K-X	IC			C2187	NCB31HK-682X	C CAPACITOR	6800pF 50V K	
IC667	CS42518-CQZ-C-W	IC			C2188	NCB31HK-682X	C CAPACITOR	6800pF 50V K	
IC671	UPD784217AGC266	IC			C2201	NCB31HK-182X	C CAPACITOR	1800pF 50V K	
IC672	SN74AHCT1G32K-X	IC			C2202	NCB31HK-182X	C CAPACITOR	1800pF 50V K	
IC673	SN74LVC1G04K-X	IC			C2209	QETN1HM-225Z	E CAPACITOR	2.2uF 50V M	
IC691	BA3259HFP-W	IC			C2210	QETN1HM-225Z	E CAPACITOR	2.2uF 50V M	
Q2101	2SD2114K/VW/-X	TRANSISTOR			C2229	QETN1HM-105Z	E CAPACITOR	1uF 50V M	
Q2102	2SD2114K/VW/-X	TRANSISTOR			C2230	QETN1HM-105Z	E CAPACITOR	1uF 50V M	
Q2141	2SD601A/RS/-X	TRANSISTOR			C2241	NCF31CZ-104X	C CAPACITOR	0.1uF 16V Z	
Q2142	2SD601A/RS/-X	TRANSISTOR			C2242	NCF31CZ-104X	C CAPACITOR	0.1uF 16V Z	
Q2201	2SD2114K/VW/-X	TRANSISTOR			C2243	NCB31HK-562X	C CAPACITOR	5600pF 50V K	
Q2202	2SD2114K/VW/-X	TRANSISTOR			C2244	NCB31HK-562X	C CAPACITOR	5600pF 50V K	
Q2221	2SD2114K/VW/-X	TRANSISTOR			C2245	NCB31HK-182X	C CAPACITOR	1800pF 50V K	
Q2222	2SD2114K/VW/-X	TRANSISTOR			C2246	NCB31HK-182X	C CAPACITOR	1800pF 50V K	
Q2301	2SD2114K/VW/-X	TRANSISTOR			C2249	QETN1HM-225Z	E CAPACITOR	2.2uF 50V M	
Q2341	2SD601A/RS/-X	TRANSISTOR			C2250	QETN1HM-225Z	E CAPACITOR	2.2uF 50V M	
Q2401	2SD2114K/VW/-X	TRANSISTOR			C2281	NCF31CZ-104X	C CAPACITOR	0.1uF 16V Z	
Q2421	2SD2114K/VW/-X	TRANSISTOR			C2282	NCF31CZ-104X	C CAPACITOR	0.1uF 16V Z	
Q2701	UN2214-X	TRANSISTOR			C2283	NCB31HK-471X	C CAPACITOR	470pF 50V K	
Q2702	UN2214-X	TRANSISTOR			C2284	NCB31HK-471X	C CAPACITOR	470pF 50V K	
Q2703	UN2214-X	TRANSISTOR			C2285	NCB31HK-471X	C CAPACITOR	470pF 50V K	
Q2704	UN2114-X	TRANSISTOR			C2286	NCB31HK-471X	C CAPACITOR	470pF 50V K	
					C2287	NCB31HK-682X	C CAPACITOR	6800pF 50V K	
					C2288	NCB31HK-682X	C CAPACITOR	6800pF 50V K	
					C2301	NCB31HK-272X	C CAPACITOR	2700pF 50V K	
					C2309	QETN1HM-226Z	E CAPACITOR	22uF 50V M	
					C2323	NCB31HK-562X	C CAPACITOR	5600pF 50V K	
					C2325	NCB31HK-182X	C CAPACITOR	1800pF 50V K	
					C2341	NCF31CZ-104X	C CAPACITOR	0.1uF 16V Z	
					C2342	NCF31CZ-104X	C CAPACITOR	0.1uF 16V Z	
					C2343	NDC31HJ-330X	C CAPACITOR	33pF 50V J	
					C2349	QETN1HM-225Z	E CAPACITOR	2.2uF 50V M	

△ Symbol No.	Part No.	Part Name	Description	Local	△ Symbol No.	Part No.	Part Name	Description	Local
C2381	NCF31CZ-104X	C CAPACITOR	0.1uF 16V Z		C2922	NCF31CZ-104X	C CAPACITOR	0.1uF 16V Z	
C2382	NCF31CZ-104X	C CAPACITOR	0.1uF 16V Z		C2923	QETN0JM-107Z	E CAPACITOR	100uF 6.3V M	
C2383	NCB31HK-681X	C CAPACITOR	680pF 50V K		C2924	NCF31CZ-104X	C CAPACITOR	0.1uF 16V Z	
C2385	NCB31HK-681X	C CAPACITOR	680pF 50V K		C2925	NCF31CZ-104X	C CAPACITOR	0.1uF 16V Z	
C2387	NCB31HK-682X	C CAPACITOR	6800pF 50V K		C2951	NCF31AZ-105X	C CAPACITOR	1uF 10V Z	
C2401	NCB31HK-561X	C CAPACITOR	560pF 50V K		C2952	NCF31AZ-105X	C CAPACITOR	1uF 10V Z	
C2409	QETN1HM-226Z	E CAPACITOR	22uF 50V M		C2953	NCF31AZ-105X	C CAPACITOR	1uF 10V Z	
C2411	NCF31CZ-104X	C CAPACITOR	0.1uF 16V Z		C2954	NCF31AZ-105X	C CAPACITOR	1uF 10V Z	
C2412	NCF31CZ-104X	C CAPACITOR	0.1uF 16V Z		C2955	NCF31AZ-105X	C CAPACITOR	1uF 10V Z	
C2421	NCF31CZ-104X	C CAPACITOR	0.1uF 16V Z		C2956	NCF31CZ-104X	C CAPACITOR	0.1uF 16V Z	
C2422	NCF31CZ-104X	C CAPACITOR	0.1uF 16V Z		C2957	NCF31CZ-104X	C CAPACITOR	0.1uF 16V Z	
C2423	NCB31CK-823X	C CAPACITOR	0.082uF 16V K						
C2425	QFN31HJ-333Z	M CAPACITOR	0.033uF 50V J		R2001	NRSA63J-104X	MG RESISTOR	100kΩ 1/16W J	
C2429	QETN1HM-475Z	E CAPACITOR	4.7uF 50V M		R2002	NRSA63J-104X	MG RESISTOR	100kΩ 1/16W J	
C2433	NCB31CK-823X	C CAPACITOR	0.082uF 16V K		R2003	NRSA63J-223X	MG RESISTOR	22kΩ 1/16W J	
C2435	QFN31HJ-333Z	M CAPACITOR	0.033uF 50V J		R2004	NRSA63J-223X	MG RESISTOR	22kΩ 1/16W J	
C2449	QETN1EM-475Z	E CAPACITOR	4.7uF 25V M		R2007	NRSA63J-223X	MG RESISTOR	22kΩ 1/16W J	
C2483	NCB31HK-471X	C CAPACITOR	470pF 50V K		R2008	NRSA63J-223X	MG RESISTOR	22kΩ 1/16W J	
C2485	NCB31HK-471X	C CAPACITOR	470pF 50V K		R2011	NRSA63J-223X	MG RESISTOR	22kΩ 1/16W J	
C2487	NCB31HK-332X	C CAPACITOR	3300pF 50V K		R2012	NRSA63J-223X	MG RESISTOR	22kΩ 1/16W J	
C2601	QETN0JM-107Z	E CAPACITOR	100uF 6.3V M		R2013	NRSA63J-223X	MG RESISTOR	22kΩ 1/16W J	
C2606	NCF31CZ-104X	C CAPACITOR	0.1uF 16V Z		R2014	NRSA63J-223X	MG RESISTOR	22kΩ 1/16W J	
C2607	NCF31CZ-104X	C CAPACITOR	0.1uF 16V Z		R2017	NRSA63J-472X	MG RESISTOR	4.7kΩ 1/16W J	
C2608	NCF31CZ-104X	C CAPACITOR	0.1uF 16V Z		R2018	NRSA63J-472X	MG RESISTOR	4.7kΩ 1/16W J	
C2611	NCF31CZ-104X	C CAPACITOR	0.1uF 16V Z		R2021	NRSA63J-331X	MG RESISTOR	330Ω 1/16W J	
C2612	NCF31CZ-104X	C CAPACITOR	0.1uF 16V Z		R2022	NRSA63J-331X	MG RESISTOR	330Ω 1/16W J	
C2613	NCF31CZ-104X	C CAPACITOR	0.1uF 16V Z		R2023	NRSA63J-331X	MG RESISTOR	330Ω 1/16W J	
C2614	NCB31HK-102X	C CAPACITOR	1000pF 50V K		R2024	NRSA63J-331X	MG RESISTOR	330Ω 1/16W J	
C2621	NCF31CZ-104X	C CAPACITOR	0.1uF 16V Z		R2101	NRSA63J-103X	MG RESISTOR	10kΩ 1/16W J	
C2622	NCF31CZ-104X	C CAPACITOR	0.1uF 16V Z		R2102	NRSA63J-103X	MG RESISTOR	10kΩ 1/16W J	
C2623	NCF31CZ-104X	C CAPACITOR	0.1uF 16V Z		R2103	NRSA63J-102X	MG RESISTOR	1kΩ 1/16W J	
C2631	NCF31CZ-104X	C CAPACITOR	0.1uF 16V Z		R2104	NRSA63J-102X	MG RESISTOR	1kΩ 1/16W J	
C2632	NCF31CZ-104X	C CAPACITOR	0.1uF 16V Z		R2109	NRSA63J-104X	MG RESISTOR	100kΩ 1/16W J	
C2633	NCF31CZ-104X	C CAPACITOR	0.1uF 16V Z		R2110	NRSA63J-104X	MG RESISTOR	100kΩ 1/16W J	
C2641	NDC31HJ-100X	C CAPACITOR	10pF 50V J		R2111	NRSA63J-102X	MG RESISTOR	1kΩ 1/16W J	
C2642	NDC31HJ-100X	C CAPACITOR	10pF 50V J		R2112	NRSA63J-102X	MG RESISTOR	1kΩ 1/16W J	
C2643	NCF31CZ-104X	C CAPACITOR	0.1uF 16V Z		R2113	NRSA63J-102X	MG RESISTOR	1kΩ 1/16W J	
C2671	QETN1CM-106Z	E CAPACITOR	10uF 16V M		R2114	NRSA63J-102X	MG RESISTOR	1kΩ 1/16W J	
C2672	QETN1CM-106Z	E CAPACITOR	10uF 16V M		R2115	NRSA63J-102X	MG RESISTOR	1kΩ 1/16W J	
C2673	QETN1CM-106Z	E CAPACITOR	10uF 16V M		R2116	NRSA63J-102X	MG RESISTOR	1kΩ 1/16W J	
C2674	NCF31CZ-104X	C CAPACITOR	0.1uF 16V Z		R2121	NRSA63J-333X	MG RESISTOR	33kΩ 1/16W J	
C2675	NCF31CZ-104X	C CAPACITOR	0.1uF 16V Z		R2122	NRSA63J-333X	MG RESISTOR	33kΩ 1/16W J	
C2676	NCB31HK-221X	C CAPACITOR	220pF 50V K		R2123	NRSA63J-243X	MG RESISTOR	24kΩ 1/16W J	
C2677	NCB31HK-221X	C CAPACITOR	220pF 50V K		R2128	NRSA63J-104X	MG RESISTOR	100kΩ 1/16W J	
C2678	QETN1EM-475Z	E CAPACITOR	4.7uF 25V M		R2129	NRSA63J-104X	MG RESISTOR	100kΩ 1/16W J	
C2679	NCF31CZ-104X	C CAPACITOR	0.1uF 16V Z		R2130	NRSA63J-104X	MG RESISTOR	100kΩ 1/16W J	
C2680	QETN0JM-107Z	E CAPACITOR	100uF 6.3V M		R2131	NRSA63J-333X	MG RESISTOR	33kΩ 1/16W J	
C2681	NCF31CZ-104X	C CAPACITOR	0.1uF 16V Z		R2132	NRSA63J-333X	MG RESISTOR	33kΩ 1/16W J	
C2682	NCF31CZ-104X	C CAPACITOR	0.1uF 16V Z		R2133	NRSA63J-273X	MG RESISTOR	27kΩ 1/16W J	
C2683	NCB31CK-223X	C CAPACITOR	0.022uF 16V K		R2134	NRSA63J-273X	MG RESISTOR	27kΩ 1/16W J	
C2684	NCB31HK-102X	C CAPACITOR	1000pF 50V K		R2135	NRSA63J-333X	MG RESISTOR	33kΩ 1/16W J	
C2685	NCF31CZ-104X	C CAPACITOR	0.1uF 16V Z		R2136	NRSA63J-333X	MG RESISTOR	33kΩ 1/16W J	
C2686	NCF31CZ-104X	C CAPACITOR	0.1uF 16V Z		R2137	NRSA63J-912X	MG RESISTOR	9.1kΩ 1/16W J	
C2687	NCF31CZ-104X	C CAPACITOR	0.1uF 16V Z		R2138	NRSA63J-912X	MG RESISTOR	9.1kΩ 1/16W J	
C2688	NCB31CK-103X	C CAPACITOR	0.01uF 16V K		R2139	NRSA63J-104X	MG RESISTOR	100kΩ 1/16W J	
C2689	NCB31CK-103X	C CAPACITOR	0.01uF 16V K		R2140	NRSA63J-104X	MG RESISTOR	100kΩ 1/16W J	
C2690	NCB31CK-103X	C CAPACITOR	0.01uF 16V K		R2141	NRSA63J-103X	MG RESISTOR	10kΩ 1/16W J	
C2691	NCB31CK-103X	C CAPACITOR	0.01uF 16V K		R2142	NRSA63J-103X	MG RESISTOR	10kΩ 1/16W J	
C2692	NCB31CK-103X	C CAPACITOR	0.01uF 16V K		R2143	NRSA63J-683X	MG RESISTOR	68kΩ 1/16W J	
C2701	QETN0JM-107Z	E CAPACITOR	100uF 6.3V M		R2144	NRSA63J-683X	MG RESISTOR	68kΩ 1/16W J	
C2702	NCB31CK-103X	C CAPACITOR	0.01uF 16V K		R2145	NRSA63J-562X	MG RESISTOR	5.6kΩ 1/16W J	
C2703	NDC31HJ-101X	C CAPACITOR	100pF 50V J		R2146	NRSA63J-562X	MG RESISTOR	5.6kΩ 1/16W J	
C2721	NDC31HJ-101X	C CAPACITOR	100pF 50V J		R2147	NRSA63J-103X	MG RESISTOR	10kΩ 1/16W J	
C2731	NCF31CZ-104X	C CAPACITOR	0.1uF 16V Z		R2148	NRSA63J-103X	MG RESISTOR	10kΩ 1/16W J	
C2751	NCF31CZ-104X	C CAPACITOR	0.1uF 16V Z		R2149	NRSA63J-104X	MG RESISTOR	100kΩ 1/16W J	
C2771	QETN1AM-476Z	E CAPACITOR	47uF 10V M		R2150	NRSA63J-104X	MG RESISTOR	100kΩ 1/16W J	
C2861	NDC31HJ-101X	C CAPACITOR	100pF 50V J		R2181	NRSA63J-472X	MG RESISTOR	4.7kΩ 1/16W J	
C2862	NCF31CZ-104X	C CAPACITOR	0.1uF 16V Z		R2182	NRSA63J-472X	MG RESISTOR	4.7kΩ 1/16W J	
C2871	NDC31HJ-270X	C CAPACITOR	27pF 50V J		R2183	NRSA63J-181X	MG RESISTOR	180Ω 1/16W J	
C2873	NCB31CK-103X	C CAPACITOR	0.01uF 16V K		R2184	NRSA63J-181X	MG RESISTOR	180Ω 1/16W J	
C2881	NCB31CK-103X	C CAPACITOR	0.01uF 16V K		R2185	NRSA63J-472X	MG RESISTOR	4.7kΩ 1/16W J	
C2882	NCB31CK-103X	C CAPACITOR	0.01uF 16V K		R2186	NRSA63J-472X	MG RESISTOR	4.7kΩ 1/16W J	
C2901	QETN1CM-106Z	E CAPACITOR	10uF 16V M		R2187	NRSA63J-181X	MG RESISTOR	180Ω 1/16W J	
C2902	QETN1CM-106Z	E CAPACITOR	10uF 16V M		R2188	NRSA63J-181X	MG RESISTOR	180Ω 1/16W J	
C2903	QETN1AM-476Z	E CAPACITOR	47uF 10V M		R2189	NRSA63J-472X	MG RESISTOR	4.7kΩ 1/16W J	
C2911	QETN0JM-227Z	E CAPACITOR	220uF 6.3V M		R2190	NRSA63J-472X	MG RESISTOR	4.7kΩ 1/16W J	
C2912	NCF31CZ-104X	C CAPACITOR	0.1uF 16V Z		R2191	NRSA63J-472X	MG RESISTOR	4.7kΩ 1/16W J	
C2921	QETN0JM-107Z	E CAPACITOR	100uF 6.3V M		R2192	NRSA63J-472X	MG RESISTOR	4.7kΩ 1/16W J	

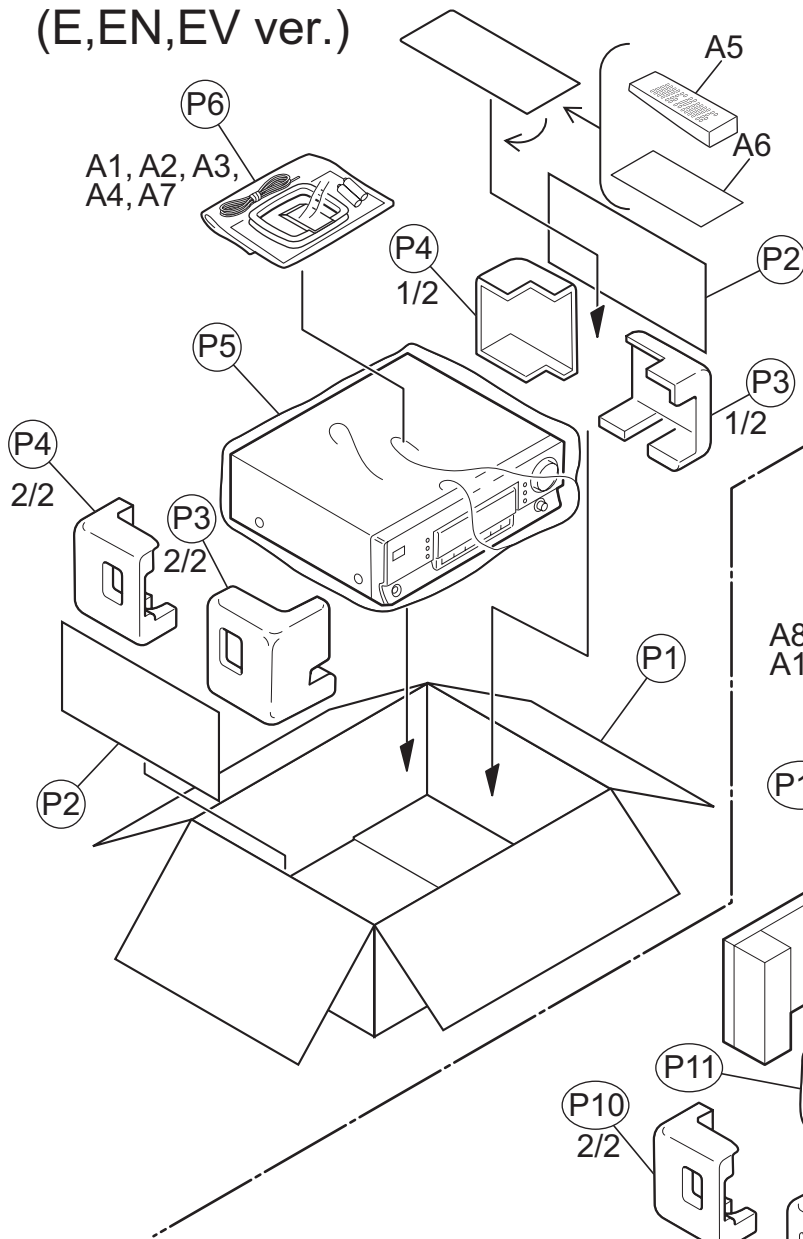
△ Symbol No.	Part No.	Part Name	Description	Local	△ Symbol No.	Part No.	Part Name	Description	Local
R2201	NRSA63J-103X	MG RESISTOR	10kΩ 1/16W J		R2624	NRSA63J-103X	MG RESISTOR	10kΩ 1/16W J	
R2202	NRSA63J-103X	MG RESISTOR	10kΩ 1/16W J		R2625	NRSA63J-103X	MG RESISTOR	10kΩ 1/16W J	
R2203	NRSA63J-102X	MG RESISTOR	1kΩ 1/16W J		R2626	NRSA63J-105X	MG RESISTOR	1MΩ 1/16W J	
R2204	NRSA63J-102X	MG RESISTOR	1kΩ 1/16W J		R2627	NRSA63J-221X	MG RESISTOR	220Ω 1/16W J	
R2209	NRSA63J-104X	MG RESISTOR	100kΩ 1/16W J		R2628	NRSA63J-102X	MG RESISTOR	1kΩ 1/16W J	
R2210	NRSA63J-104X	MG RESISTOR	100kΩ 1/16W J		R2631	NRSA63J-103X	MG RESISTOR	10kΩ 1/16W J	
R2221	NRSA63J-822X	MG RESISTOR	8.2kΩ 1/16W J		R2632	NRSA63J-103X	MG RESISTOR	10kΩ 1/16W J	
R2222	NRSA63J-822X	MG RESISTOR	8.2kΩ 1/16W J		R2633	NRSA63J-103X	MG RESISTOR	10kΩ 1/16W J	
R2223	NRSA63J-103X	MG RESISTOR	10kΩ 1/16W J		R2634	NRSA63J-103X	MG RESISTOR	10kΩ 1/16W J	
R2224	NRSA63J-103X	MG RESISTOR	10kΩ 1/16W J		R2635	NRSA63J-103X	MG RESISTOR	10kΩ 1/16W J	
R2241	NRSA63J-102X	MG RESISTOR	1kΩ 1/16W J		R2636	NRSA63J-103X	MG RESISTOR	10kΩ 1/16W J	
R2242	NRSA63J-102X	MG RESISTOR	1kΩ 1/16W J		R2637	NRSA63J-103X	MG RESISTOR	10kΩ 1/16W J	
R2243	NRSA63J-102X	MG RESISTOR	1kΩ 1/16W J		R2638	NRSA63J-103X	MG RESISTOR	10kΩ 1/16W J	
R2244	NRSA63J-102X	MG RESISTOR	1kΩ 1/16W J		R2639	NRSA63J-103X	MG RESISTOR	10kΩ 1/16W J	
R2249	NRSA63J-104X	MG RESISTOR	100kΩ 1/16W J		R2640	NRSA63J-103X	MG RESISTOR	10kΩ 1/16W J	
R2250	NRSA63J-104X	MG RESISTOR	100kΩ 1/16W J		R2641	NRSA63J-103X	MG RESISTOR	10kΩ 1/16W J	
R2281	NRSA63J-752X	MG RESISTOR	7.5kΩ 1/16W J		R2642	NRSA63J-103X	MG RESISTOR	10kΩ 1/16W J	
R2282	NRSA63J-752X	MG RESISTOR	7.5kΩ 1/16W J		R2647	NRSA63J-103X	MG RESISTOR	10kΩ 1/16W J	
R2283	NRSA63J-181X	MG RESISTOR	180Ω 1/16W J		R2671	NRSA63J-332X	MG RESISTOR	3.3kΩ 1/16W J	
R2284	NRSA63J-181X	MG RESISTOR	180Ω 1/16W J		R2673	NRSA63J-103X	MG RESISTOR	10kΩ 1/16W J	
R2285	NRSA63J-472X	MG RESISTOR	4.7kΩ 1/16W J		R2681	NRSA63J-221X	MG RESISTOR	220Ω 1/16W J	
R2286	NRSA63J-472X	MG RESISTOR	4.7kΩ 1/16W J		R2682	NRSA63J-331X	MG RESISTOR	330Ω 1/16W J	
R2287	NRSA63J-181X	MG RESISTOR	180Ω 1/16W J		R2683	NRSA63J-103X	MG RESISTOR	10kΩ 1/16W J	
R2288	NRSA63J-181X	MG RESISTOR	180Ω 1/16W J		R2684	NRSA63J-103X	MG RESISTOR	10kΩ 1/16W J	
R2289	NRSA63J-472X	MG RESISTOR	4.7kΩ 1/16W J		R2685	NRSA63J-221X	MG RESISTOR	220Ω 1/16W J	
R2290	NRSA63J-472X	MG RESISTOR	4.7kΩ 1/16W J		R2686	NRSA63J-221X	MG RESISTOR	220Ω 1/16W J	
R2291	NRSA63J-752X	MG RESISTOR	7.5kΩ 1/16W J		R2687	NRSA63J-221X	MG RESISTOR	220Ω 1/16W J	
R2292	NRSA63J-752X	MG RESISTOR	7.5kΩ 1/16W J		R2688	NRSA63J-221X	MG RESISTOR	220Ω 1/16W J	
R2301	NRSA63J-103X	MG RESISTOR	10kΩ 1/16W J		R2705	NRSA63J-822X	MG RESISTOR	8.2kΩ 1/16W J	
R2303	NRSA63J-102X	MG RESISTOR	1kΩ 1/16W J		R2706	NRSA63J-432X	MG RESISTOR	4.3kΩ 1/16W J	
R2309	NRSA63J-104X	MG RESISTOR	100kΩ 1/16W J		R2707	NRSA63J-221X	MG RESISTOR	220Ω 1/16W J	
R2321	NRSA63J-102X	MG RESISTOR	1kΩ 1/16W J		R2711	NRSA63J-103X	MG RESISTOR	10kΩ 1/16W J	
R2323	NRSA63J-102X	MG RESISTOR	1kΩ 1/16W J		R2713	NRSA63J-103X	MG RESISTOR	10kΩ 1/16W J	
R2341	NRSA63J-473X	MG RESISTOR	47kΩ 1/16W J		R2714	NRSA63J-103X	MG RESISTOR	10kΩ 1/16W J	
R2343	NRSA63J-753X	MG RESISTOR	75kΩ 1/16W J		R2715	NRSA63J-103X	MG RESISTOR	10kΩ 1/16W J	
R2345	NRSA63J-303X	MG RESISTOR	30kΩ 1/16W J		R2716	NRSA63J-103X	MG RESISTOR	10kΩ 1/16W J	
R2347	NRSA63J-103X	MG RESISTOR	10kΩ 1/16W J		R2721	NRSA63J-103X	MG RESISTOR	10kΩ 1/16W J	
R2349	NRSA63J-104X	MG RESISTOR	100kΩ 1/16W J		R2722	NRSA63J-102X	MG RESISTOR	1kΩ 1/16W J	
R2381	NRSA63J-472X	MG RESISTOR	4.7kΩ 1/16W J		R2723	NRSA63J-102X	MG RESISTOR	1kΩ 1/16W J	
R2383	NRSA63J-181X	MG RESISTOR	180Ω 1/16W J		R2724	NRSA63J-822X	MG RESISTOR	8.2kΩ 1/16W J	
R2385	NRSA63J-472X	MG RESISTOR	4.7kΩ 1/16W J		R2725	NRSA63J-432X	MG RESISTOR	4.3kΩ 1/16W J	
R2387	NRSA63J-181X	MG RESISTOR	180Ω 1/16W J		R2726	NRSA63J-822X	MG RESISTOR	8.2kΩ 1/16W J	
R2389	NRSA63J-472X	MG RESISTOR	4.7kΩ 1/16W J		R2727	NRSA63J-432X	MG RESISTOR	4.3kΩ 1/16W J	
R2391	NRSA63J-472X	MG RESISTOR	4.7kΩ 1/16W J		R2728	NRSA63J-221X	MG RESISTOR	220Ω 1/16W J	
R2401	NRSA63J-103X	MG RESISTOR	10kΩ 1/16W J		R2731	NRSA63J-221X	MG RESISTOR	220Ω 1/16W J	
R2403	NRSA63J-102X	MG RESISTOR	1kΩ 1/16W J		R2732	NRSA63J-221X	MG RESISTOR	220Ω 1/16W J	
R2409	NRSA63J-104X	MG RESISTOR	100kΩ 1/16W J		R2733	NRSA63J-221X	MG RESISTOR	220Ω 1/16W J	
R2411	NRSA63J-473X	MG RESISTOR	47kΩ 1/16W J		R2734	NRSA63J-221X	MG RESISTOR	220Ω 1/16W J	
R2412	NRSA63J-473X	MG RESISTOR	47kΩ 1/16W J		R2735	NRSA63J-221X	MG RESISTOR	220Ω 1/16W J	
R2421	NRSA63J-222X	MG RESISTOR	2.2kΩ 1/16W J		R2736	NRSA63J-221X	MG RESISTOR	220Ω 1/16W J	
R2422	NRSA63J-103X	MG RESISTOR	10kΩ 1/16W J		R2738	NRSA63J-221X	MG RESISTOR	220Ω 1/16W J	
R2423	NRSA63J-100X	MG RESISTOR	10Ω 1/16W J		R2739	NRSA63J-221X	MG RESISTOR	220Ω 1/16W J	
R2424	NRSA63J-103X	MG RESISTOR	10kΩ 1/16W J		R2743	NRSA63J-221X	MG RESISTOR	220Ω 1/16W J	
R2425	NRSA63J-103X	MG RESISTOR	10kΩ 1/16W J		R2744	NRSA63J-221X	MG RESISTOR	220Ω 1/16W J	
R2433	NRSA63J-100X	MG RESISTOR	10Ω 1/16W J		R2745	NRSA63J-221X	MG RESISTOR	220Ω 1/16W J	
R2434	NRSA63J-103X	MG RESISTOR	10kΩ 1/16W J		R2751	NRSA63J-102X	MG RESISTOR	1kΩ 1/16W J	
R2435	NRSA63J-103X	MG RESISTOR	10kΩ 1/16W J		R2752	NRSA63J-103X	MG RESISTOR	10kΩ 1/16W J	
R2449	NRSA63J-104X	MG RESISTOR	100kΩ 1/16W J		R2761	NRSA63J-105X	MG RESISTOR	1MΩ 1/16W J	
R2481	NRSA63J-183X	MG RESISTOR	18kΩ 1/16W J		R2762	NRSA63J-105X	MG RESISTOR	1MΩ 1/16W J	
R2483	NRSA63J-181X	MG RESISTOR	180Ω 1/16W J		R2763	NRSA63J-105X	MG RESISTOR	1MΩ 1/16W J	
R2485	NRSA63J-472X	MG RESISTOR	4.7kΩ 1/16W J		R2771	NRSA63J-102X	MG RESISTOR	1kΩ 1/16W J	
R2487	NRSA63J-181X	MG RESISTOR	180Ω 1/16W J		R2772	NRSA63J-105X	MG RESISTOR	1MΩ 1/16W J	
R2489	NRSA63J-472X	MG RESISTOR	4.7kΩ 1/16W J		R2773	NRSA63J-105X	MG RESISTOR	1MΩ 1/16W J	
R2491	NRSA63J-183X	MG RESISTOR	18kΩ 1/16W J		R2861	NRSA63J-221X	MG RESISTOR	220Ω 1/16W J	
R2601	NRSA63J-221X	MG RESISTOR	220Ω 1/16W J		R2862	NRSA63J-392X	MG RESISTOR	3.9kΩ 1/16W J	
R2602	NRSA63J-221X	MG RESISTOR	220Ω 1/16W J		R2871	NRSA63J-750X	MG RESISTOR	75Ω 1/16W J	
R2603	NRSA63J-221X	MG RESISTOR	220Ω 1/16W J		R2872	NRSA63J-102X	MG RESISTOR	1kΩ 1/16W J	
R2604	NRSA63J-221X	MG RESISTOR	220Ω 1/16W J		R2921	NRSA63J-182X	MG RESISTOR	1.8kΩ 1/16W J	
R2605	NRSA63J-102X	MG RESISTOR	1kΩ 1/16W J		R2922	NRSA63J-112X	MG RESISTOR	1.1kΩ 1/16W J	
R2606	NRSA63J-102X	MG RESISTOR	1kΩ 1/16W J						
R2607	NRSA63J-102X	MG RESISTOR	1kΩ 1/16W J		CN681	QGB2510K1-07	CONNECTOR	B-B (1-7)	
R2608	NRSA63J-102X	MG RESISTOR	1kΩ 1/16W J		CN683	QGB2510K1-14	CONNECTOR	B-B (1-14)	
R2611	NRSA63J-103X	MG RESISTOR	10kΩ 1/16W J		EP681	E409182-001SM	GRAND TERMINAL		
R2613	NRSA63J-102X	MG RESISTOR	1kΩ 1/16W J		J681	QNN0481-001	SURROUND JACK		
R2614	NRSA63J-102X	MG RESISTOR	1kΩ 1/16W J		K2861	NQR0269-004X	FERRITE BEADS		
R2621	NRSA63J-103X	MG RESISTOR	10kΩ 1/16W J		UN682	GP1FAV50RKOF	OPT RECEIVER		
R2622	NRSA63J-103X	MG RESISTOR	10kΩ 1/16W J		X661	QAX0722-001Z	CRYSTAL	24.576MHz	
R2623	NRSA63J-103X	MG RESISTOR	10kΩ 1/16W J		X671	QAX0719-001Z	C RESONATOR	6.144MHz	

Packing materials and accessories parts list

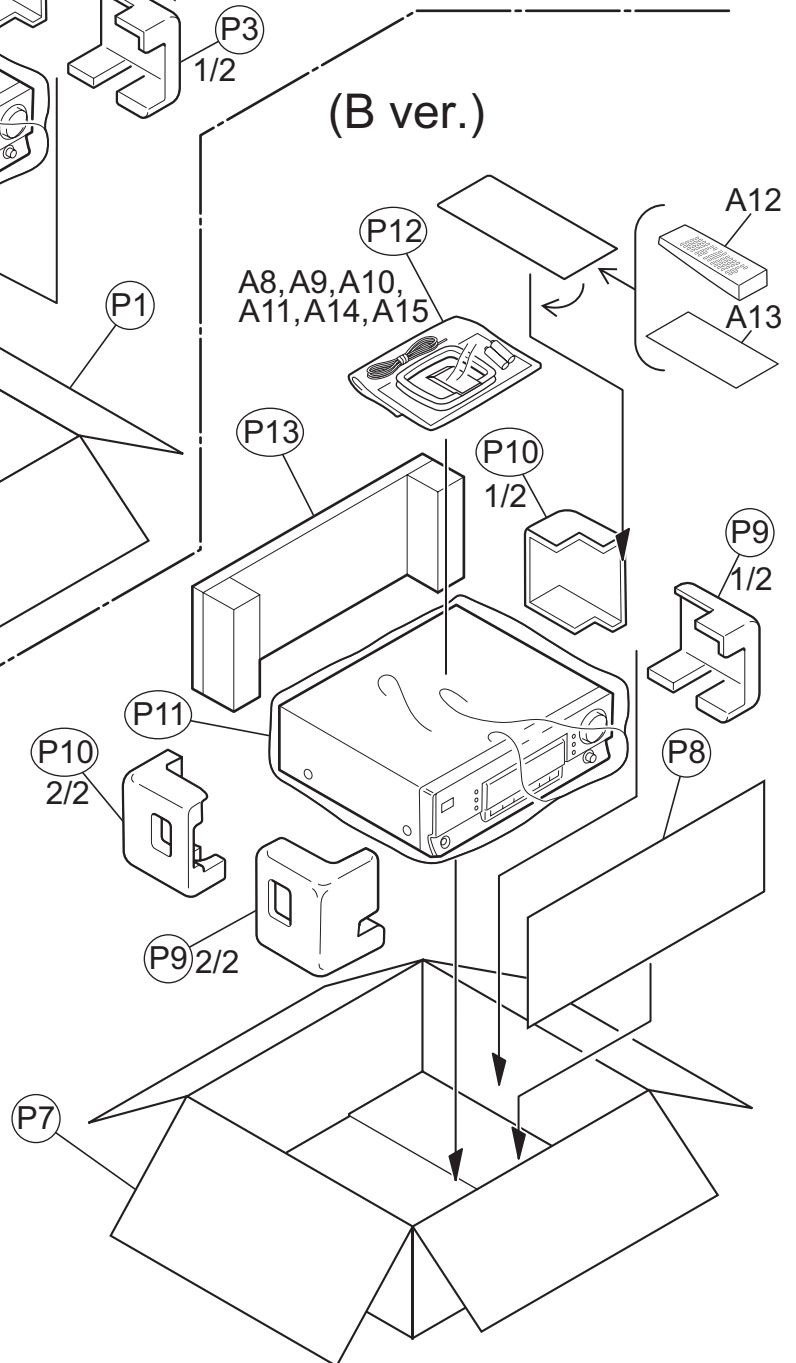
Block No. **M 3 M M**

No additional / supplemental order of WARRANTY CARDS are available

(E,EN,EV ver.)



(B ver.)



Packing and Accessories

Block No. [M][3][M][M]

△ Symbol No.	Part No.	Part Name	Description	Local
A 1	LVT1290-004A	INST BOOK	GER,FRE,DUT	5050BE,5052SE
A 1	LVT1290-005B	INST BOOK	SWE,FIN,DAN,GER,FRE,SPA,ITA	5052SEN
A 1	LVT1290-006A	INST BOOK	CZE,POL,HUN,RUS	5052SEV
A 2	QAL0595-001	ANTENNA		5050BE,5052SE,5052SEN,5052SEV
A 3	QAL0014-001	AM LOOP ANT		5050BE,5052SE,5052SEN,5052SEV
A 4	-----	WARRANTY CARD	BT-54023-1	5050BE,5052SE,5052SEN,5052SEV
A 5	RM-SRX5040R	REMOCON		5050BE
A 5	RM-SRX5042R	REMOCON		5052SE,5052SEN,5052SEV
A 6	LV30256-014A	SHEET		5050BE,5052SE,5052SEN,5052SEV
A 7	-----	BATTERY	(x2)	5050BE,5052SE,5052SEN,5052SEV
A 8	LVT1290-003A	INST BOOK	ENG	5052SB
A 9	QAL0595-001	ANTENNA		5052SB
A 10	QAL0014-001	AM LOOP ANT		5052SB
A 11	-----	WARRANTY CARD	BT-54023-1	5052SB
A 12	RM-SRX5042R	REMOCON		5052SB
A 13	LV30256-014A	SHEET		5052SB
A 14	-----	BATTERY	(x2)	5052SB
A 15	VNA3000-204	REGISTER CARD		5052SB
P 1	LV21650-016A	CARTON BOX		5050BE
P 1	LV21650-018A	CARTON BOX		5052SE,5052SEN,5052SEV
P 2	LV32034-009A	SHEET	(x2)	5050BE,5052SE,5052SEN,5052SEV
P 3	LV21634-003A	CUSHION		5050BE,5052SE,5052SEN,5052SEV
P 4	LV21635-002A	CUSHION		5050BE,5052SE,5052SEN,5052SEV
P 5	QPC06507015P	POLY BAG	65cm x 70cm	5050BE,5052SE,5052SEN,5052SEV
P 6	QPA02503505P	POLY BAG	25cm x 35cm	5050BE,5052SE,5052SEN,5052SEV
P 7	LV21650-019A	CARTON BOX		5052SB
P 8	LV32034-008A	SHEET		5052SB
P 9	LV21634-003A	CUSHION		5052SB
P 10	LV21635-002A	CUSHION		5052SB
P 11	QPC06507015P	POLY BAG	65cm x 70cm	5052SB
P 12	QPA02503505P	POLY BAG	25cm x 35cm	5052SB
P 13	LV34107-005A	PACKING SHEET		5052SB